



2024-2025 CATALOGUE

A photograph of a swimmer in a pool, captured from an underwater perspective. The swimmer is wearing goggles and is in the middle of a stroke, with water splashing around them. The lighting is dramatic, with bright highlights on the water's surface and deep shadows below.

PIARPI

Pool, Sauna and Spa Equipments

piarpi.com

MORE THAN QUALITY



PI LONDON 



Swimming Pool Equipments...

3-70

Water Games...

72-74

Fountain Equipments...

75-76

Sauna and Steam Room Equipments...

77-87

Spa Equipments...

88-92

Certain Products Photos in Catalogue Could be Change From The Original Form Because of Different Design. Prices are Not Included VAT. The Company Could be Change the Products Technical Datas and Prices Without Declaring you.

Pi London Elite series pumps



Centrifugal pump for water circulation in transportable pools and spas

- Quiet running
- Single stage
- Continuous operation
- Built-in thermal protection

Pump body, pump foot and diffuser in tecnopolymer

Impeller in tecnopolymer

Seal mounting in tecnopolymer

Motor shaft in stainless steel AISI 420

Mechanical seal in graphite and alumine

Motor housing in aluminium

Code	Description	Power P2 (HP)	Phase	Connection	Flow 9 mss m ³ /h
02101050	Elite 50S	0,5	I	63 mm	14
02101075	Eite 75S	0,75	I	63 mm	18
02101100	Elite 100S	1	I	63 mm	22
02103150	Elite 100T	1	III	63 mm	22
02101150	Elite 150S	1,5	I	63 mm	26
02103150	Elite 150T	1,5	III	63 mm	26
02101200	Elite 200S	2	I	63 mm	30
02103200	Elite 200T	2	III	63 mm	30
02101300	Elite 300S	3	I	63 mm	35
02103300	Elite 300T	3	III	63 mm	35
02103400	Elite 400T	4	III	63 mm	45



Code	Description
02210007	P.P Pump Case

Espa Silen I Series Pump



- Espa Silen I series pump
- Single stage
- Designed for small and medium swimming pools
- Quiet running
- Motor housing in aluminium

Materials

Pump body, pump foot and diffuser in tecnopolymer
 Impeller in tecnopolymer
 Seal mounting in tecnopolymer
 Motor shaft in stainless steel AISI 420
 Mechanical seal in graphite and alumine
 Motor housing in aluminium

Motor

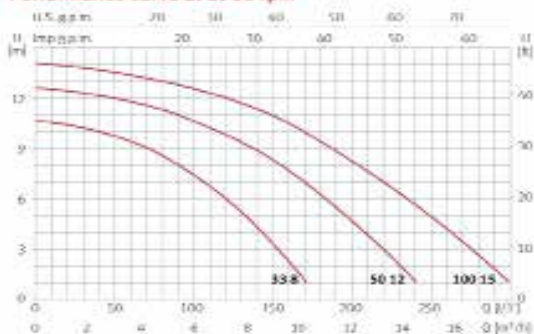
Asynchronous, two poles
 IP 55 protection
 Class F insulation
 Continuous operation
 Single phase version built-in thermal Protection

- Liquid temperature (°C) : Min : 4 – Max : 35

Hydraulic performance table

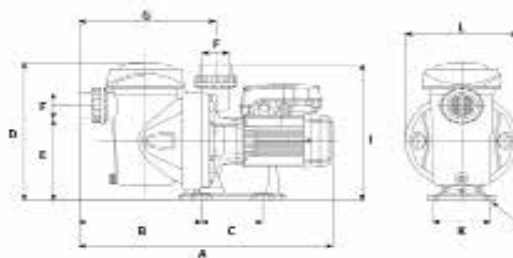
Model	I [A]	P1 [kW]	P2		c [m]	l/min									Code
	1-230V	1-	[kW]	[HP]		25	50	75	100	150	200	250	290		
Silen I 33 B	2	0,45	0,25	0,33	12	1,5	2,8	4,5	6,0	9,8	12	15	17,6	00201144	
Silen I 50 12	2,8	0,65	0,37	0,5	12	10,2	11,9	11,3	10,5	8,1	6,6	-	-	00201145	
Silen I 100 15	3,8	0,85	0,75	1	12	13,8	13,3	13	12,5	10,8	8,1	4,8	1,8	00201146	

Performance curve at 2900 rpm



Dimension and weight

Model	A	B	C	D	E	F	G	I	J	K	L	Kg
Silen I 33	439	192	115	304	210	50	221	264	89	108	212	8,9
Silen I 50	439	192	115	304	210	50	221	264	89	108	212	10,2
Silen I 100	439	192	115	304	210	50	221	264	89	108	212	10,9



Code	Description	Power P2 (HP)	Phase	Connection	Flow 9 mss m ³ /h
02011050	Silen I 50 M	0,5	I	50 mm	9
02011100	Silen I 100 M	1	I	50 mm	11

Espa Silen S Series Pump



- Designed for big and medium swimming pools
- Single-stage
- Quiet running
- Self priming, centrifugal pumps, complete with pre-filter

Materials

Pump body, pump foot and diffuser in tecnopolymer
 Impeller in tecnopolymer
 Seal mounting in tecnopolymer
 Motor shaft in stainless steel AISI 420
 Mechanical seal in graphite and alumine
 Motor housing in aluminium

Motor

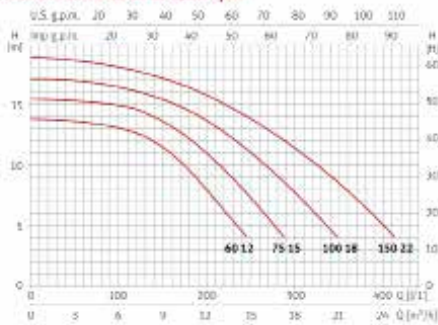
Asynchronous, two poles
 IP 55 protection
 Class F insulation
 Continuous operation
 Single phase version built-in thermal protection

- Liquid temperature (°C) : Min : 4 – Max : 35

Hydraulic performance table

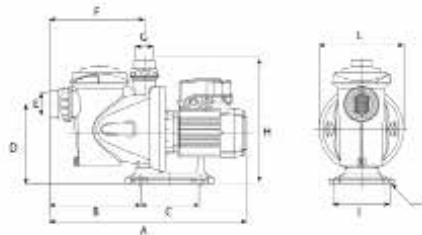
Model	I [A]			P1 [kW]		P2 [kW] [HP]		c [l/F]	l/min	40	80	120	160	215	265	325	400	Code	
	1~230V	3~230V	3~400V	1~	3~	[kW]	[HP]											1-230V (Max. 10)	3-230V/400V (Max. 10)
Silen S 60 12	3,7	2,4	1,4	0,8	0,8	0,44	0,6	36	13,6	53,2	12,6	10,3	6,7	-	-	-	-	00203147	00203151
Silen S 75 15	5,5	3,7	2,2	1,2	1	0,55	0,75	36	55,2	55	54,3	33,3	9,9	6	-	-	-	00203148	00203152
Silen S 100 18	6	3,8	2,2	1,6	1,2	0,75	1	36	16,9	56,5	16	25	12,9	10	1,9	-	-	00203149	00203153
Silen S 150 22	7,1	4,8	2,8	1,6	1,6	1,1	1,5	75	18,6	18,7	17,2	16,8	15,1	13	10	5,1	-	00203150	00203154

Performance curve at 2900 rpm



Dimension and weight

Model	A	B	C	D	E	F	G	H	I	J	L	Kg
Silen S 60	555	257	164	225	50	267	50	347	159	89	318	18,9
Silen S 75	555	257	164	225	50	267	50	347	159	89	318	10,2
Silen S 100	555	257	164	225	50	267	50	347	159	89	318	10,9
Silen S 150	577	357	164	225	50	267	50	347	159	89	318	13,5



Code	Description	Power P2 (HP)	Phase	Connection	Flow 9 mss m ³ /h
02021100	SILEN S 100M	1	I	50 mm	16
02023100	SILEN S 100	1	III	50 mm	16
02021150	SILEN S 150M	1,5	I	50 mm	20
02023150	SILEN S 150	1,5	III	50 mm	20

Espa Silen S2 Series Pump



- Espa Silen S2 series pump
- Designed for big and medium swimming pools
- Single-stage
- Quiet running
- Self priming, centrifugal pumps, complete with pre-filter .

Materials

Pump body, pump foot and diffuser in tecnopolymer
 Impeller in tecnopolymer
 Seal mounting in tecnopolymer
 Motor shaft in stainless steel AISI 420
 Mechanical seal in graphite and alumine
 Motor housing in aluminium

Motor

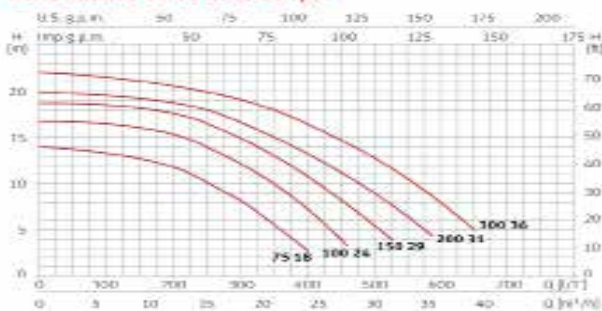
Asynchronous, two poles
 IP 55 protection
 Class F insulation
 Continuous operation
 Single phase version built-in thermal Protection

- Liquid temperature (°C) : Min : 4 – Max : 35

Hydraulic performance table

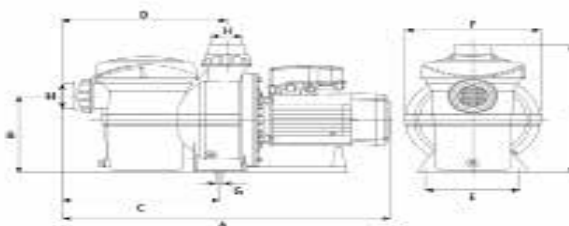
Model	P1 [kW]			P2		c [l/F]	1/ min	Code										
	1- 230V	3- 230V	3- 400V	1- [kW]	3- [HP]			100	150	200	300	450	500	550	650	1-230V (Model 10)	3-230V/400V (Model T)	
Silen S2 75 18	4.5	3.8	2.2	1	1	0.55	0.75	25	13.2	12.8	10	5.5				00003158	00003160	
Silen S2 100 24	7	4.8	2.8	1.5	1.6	0.7	1.2	25	16.5	16	14.2	10	4			00003156	00003161	
Silen S2 150 29	8.5	5.3	3.1	1.9	1.9	1.1	1.5	25	18.5	18.2	16.5	11	8.2	5.5	-	00003157	00003162	
Silen S2 200 31	9.7	6.5	3.8	2.2	2.2	1.5	2	30	19.5	19.1	18	15	11.1	9	6.3	00003158	00003163	
Silen S2 300 36	12.5	8.6	5	2.8	2.8	2.2	3	60	21.5	21	19.8	18	14.9	12.8	10.5	5	00003159	00003164

Performance curve at 2900 rpm



Dimension and weight

Model	A	B	C	D	E	F	G	H	I	Kg
Silen S2 75	624	222	272	285	188	268	Ø13	63	327	14
Silen S2 100	624	222	272	285	188	368	Ø13	63	327	15
Silen S2 150	624	222	272	285	188	368	Ø13	63	327	18
Silen S2 200	624	222	272	285	188	268	Ø13	63	327	21
Silen S2 300	624	222	272	285	188	268	Ø13	63	327	25



Code	Description	Power P2 (HP)	Phase	Connection	Flow 9 mss m ³ /h
02031150	SILEN S2 150M	1,5	I	63 mm	26
02033150	SILEN S2 150	1,5	III	63 mm	26
02031200	SILEN S2 200M	2	I	63 mm	30
02033200	SILEN S2 200	2	III	63 mm	30
02031300	SILEN S2 300M	3	I	63 mm	35
02033300	SILEN S2 300	3	III	63 mm	35



Espa Wiper 3 Series Pump



- Centrifugal pump for water circulation in transportable pools and spas
- Quiet running
- Single stage

Materials
 Pump body, pump foot and diffuser in tecnopolymer
 Impeller in tecnopolymer
 Seal mounting in tecnopolymer
 Motor shaft in stainless steel AISI 420
 Mechanical seal in graphite and alumine
 Motor housing in aluminium

Motor
 Dual-pole, asynchronous
 IP-55 protection
 Class F insulation
 Continuous operation
 Single-phase version with built-in thermal protector

- Liquid temperature (°C) : Min : 4 – Max : 35

Espa Nadorsel Series Pump



- Centrifugal pump specifically designed for jet-stream counter current
- Single-impeller
- Hydraulic casing
- Adjustable impulsion
- Flows up to 75 m3/h.
- Self-priming up to 4 metres
- 2 drainage spouts
- Supplied with suction and impulsion accessories

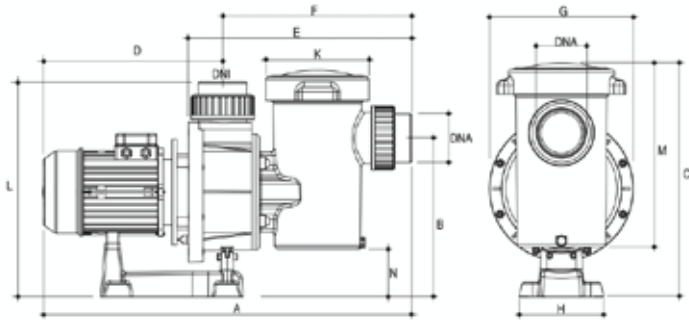
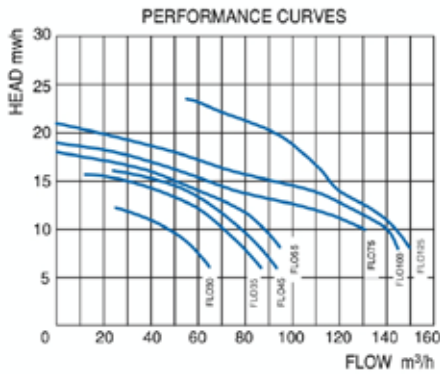
Materials
 Pump body, pump foot and diffuser in tecnopolymer
 Impeller in tecnopolymer
 Seal mounting in tecnopolymer
 Motor shaft in stainless steel AISI 420
 O’rings in NBR
 Mechanical seal in graphite and alumine
 Motor housing in aluminium
 Windings impregnated with epoxy resin

Code	Description	Power P2 (HP)	Phase	Connection	Flow 9 mss m ³ /h
02061150	WIPER3 150M	1,5	I	63 mm	24
02061200	WIPER3 200M	2	I	63 mm	31
02073400	Nadorsel 400	4	III	75 mm	65

Flooter Pool Pumps



- Suitable pumps for special purposes
- Lowest power consumption
- Best price
- Highest efficiency
- Self priming centrifugal pump
- Noryl injected pump casing
- Hinged cover-screws with AISI 304 stainless steel studs
- Impeller in noryl with fiber glass
- Pumps are suitable to be used with sea water



HP	CONDENSER (µF)	AMPERES			HEAD mwh						
		II 220 V	230 V	III 380 V	6	8	10	12	14	16	17
3,0	-	-	10,40	6,00	65,00	56,50	47,00	25,00	-	-	-
3,5	-	-	10,40	6,00	86,00	78,00	70,00	60,00	45,00	12,00	-
4,5	-	-	11,70	6,75	94,00	88,00	78,00	68,00	55,00	24,00	-
5,5	-	-	13,80	8,00	102,00	95,00	88,00	78,00	60,00	40,00	23,00

HP	CONDENSER (µF)	AMPERES III			HEAD mwh								
		230 V	400 V	700 V	8	10	12	14	16	18	20	24	25
7,5	-	-	12,10	7,00	140,00	131,00	110,00	76,00	53,00	25,00	-	-	-
10,0	-	-	15,80	9,20	145,00	140,00	126,00	108,00	75,00	50,00	18,00	-	-
12,5	-	-	15,80	9,20	150,00	144,00	134,30	120,00	113,00	104,00	92,70	56,80	-

DIMENSIONS													Net Weight (Kg)	Gross Weight (Kg)	
DNA	DNI	A	K	B	C	D	E	F	G	H	L	M			N
4"	4"	880	265	406	580	395	573	485	358	210	550	457	122	30,750	32,250
4"	4"	880	265	406	580	395	573	485	358	210	550	457	122	30,750	32,250
4"	4"	920	265	406	580	435	573	485	358	210	550	457	122	33,850	35,350
4"	4"	945	265	406	580	460	573	485	358	210	550	457	122	40,600	42,100
4"	4"	945	265	406	580	460	573	485	358	210	550	457	122	48,450	49,950
4"	4"	985	265	406	580	500	573	485	358	210	550	457	122	54,600	56,100
4"	4"	985	265	406	580	500	573	485	358	210	550	457	122		

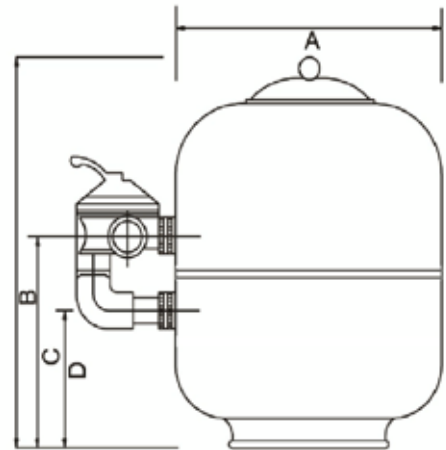
Code	Description	Power P2 (HP)	Phase	Connection	Flow 9 mss m³/h
02183035	Floo 350	3,5	III	110	68
02183045	Floo 450	4,5	III	110	78
02183055	Floo 550	5,5	III	110	88
02183075	Floo 750	7,5	III	110	134
02183100	Floo 1000	10	III	110	142
02183125	Floo 1250	12	III	110	148

Classical Laminated Filters



- Made of polyester and fiberglass resin
- Side mounting multiport valve with air purge and pressure gauge
- Maximum operating pressure : 2,5 kg/cm²
- Maximum test pressure 4 kg/cm²
- Maximum temprature 40 °C

Code	Description
03010450	Ø 450
03010500	Ø 500
03010620	Ø 620
03010780	Ø 780
03010930	Ø 930



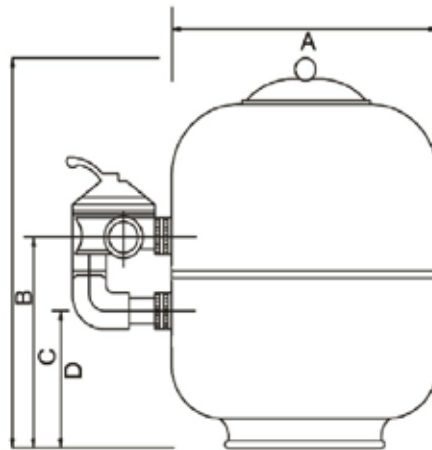
	Ø 450	Ø 500	Ø 620	Ø 780	Ø 930
A	450	500	620	780	930
B	795	825	850	945	1050
C	450	460	480	555	660
D	300	310	330	325	430
Connection mm/inc	50 / 1 1/2"	50 / 1 1/2"	50 / 1 1/2"	63 / 2"	63 / 2"
Flow (m ³ /h) 50 m ³ /h/m ²	8	10	14	23	33
filtration surface m ²	0,16	0,19	0,3	0,46	0,66
sand kg	75	100	125	250	375
glass 1 kg	50	50	75	125	175
glass 2 kg	25	50	50	125	75
glass 3 kg					100

Classical Laminated Filters With Plexi Lid



- Made of polyester and fiberglass resin
- Side mounting multiport valve with air purge and pressure gauge
- Maximum operating pressure : 2,5 kg/cm²
- Maximum test pressure 4 kg/cm²
- Maximum temprature 40 °C

Code	Description
03010452	Ø 450
03010502	Ø 500
03010622	Ø 620
03010782	Ø 780
03010932	Ø 930



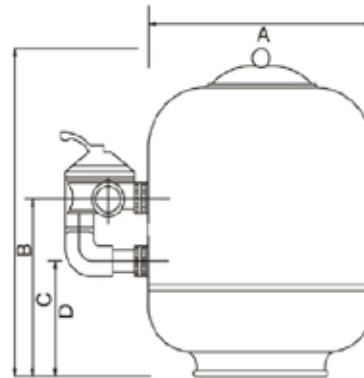
	Ø 450	Ø 500	Ø 620	Ø 780	Ø 930
A	450	500	620	780	930
B	750	780	805	900	1005
C	450	460	480	555	660
D	300	310	330	325	430
Connection mm/inc	50 / 11/2"	50 / 11/2"	50 / 11/2"	63 / 2"	63 / 2"
Flow (m ³ /h) 50 m ³ /h/m ²	8	10	14	23	33
filtration surface m ²	0,16	0,19	0,3	0,46	0,66
sand kg	75	100	125	250	375
glass 1 kg	50	50	75	125	175
glass 2 kg	25	50	50	125	75
glass 3 kg					100

Premium Laminated Filters



- Made of polyester and fiberglass resin
- Side mounting multiport valve with air purge and pressure gauge
- Maximum operating pressure : 2,5 kg/cm²
- Maximum test pressure 4 kg/cm²
- Maximum temprature 40 °C

Code	Description
03100450	Ø 450
03100500	Ø 500
03100600	Ø 600
03100750	Ø 750
03100900	Ø 900



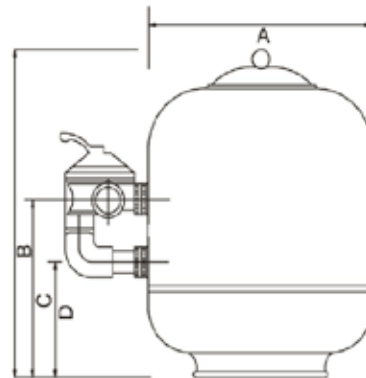
	Ø 450	Ø 500	Ø 600	Ø 750	Ø 900
A	450	500	600	750	900
B	795	825	850	945	1050
C	450	460	480	555	660
D	300	310	330	325	430
Connection mm/inc	50 / 11/2"	50 / 11/2"	50 / 11/2"	63 / 2"	63 / 2"
Flow (m ³ /h) 50 m ³ /h/m ²	8	10	14	23	33
filtration surface m ²	0,16	0,19	0,3	0,46	0,66
sand kg	75	100	125	250	375
glass 1 kg	50	50	75	125	175
glass 2 kg	25	50	50	125	75
glass 3 kg					100

Premium Laminated Filters with plexi Lid



- Made of polyester and fiberglass resin
- Side mounting multiport valve with air purge and pressure gauge
- Maximum operating pressure : 2,5 kg/cm²
- Maximum test pressure 4 kg/cm²
- Maximum temprature 40 °C

Code	Description
03100452	Ø 450
03100502	Ø 500
03100602	Ø 600
03100752	Ø 750
03100902	Ø 900



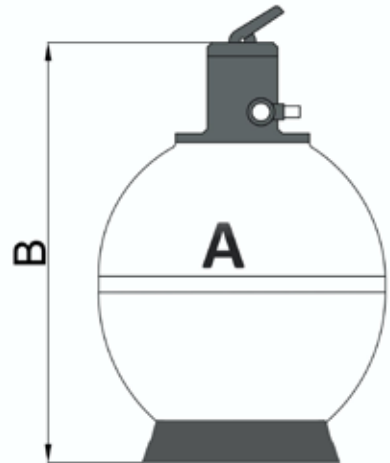
	Ø 450	Ø 500	Ø 600	Ø 750	Ø 900
A	450	500	600	750	900
B	750	780	805	900	1005
C	450	460	480	555	660
D	300	310	330	325	430
Connection mm/inc	50 / 1 1/2"	50 / 1 1/2"	50 / 1 1/2"	63 / 2"	63 / 2"
Flow (m ³ /h) 50 m ³ /h/m ²	8	10	14	23	33
filtration surface m ²	0,16	0,19	0,3	0,46	0,66
sand kg	75	100	125	250	375
glass 1 kg	50	50	75	125	175
glass 2 kg	25	50	50	125	75
glass 3 kg					100

Classical Laminated Top Filters



- Made of polyester and fiberglass resin
- Side mounting multiport valve with air purge and pressure gauge
- Maximum operating pressure : 2,5 kg/cm²
- Maximum test pressure 4 kg/cm²
- Maximum temprature 40 °C

Code	Description
03010450	Ø 450
03010500	Ø 500
03010620	Ø 620
03010780	Ø 780
03010930	Ø 930



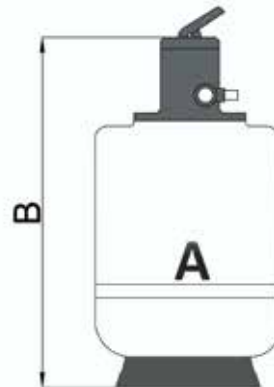
	Ø 450	Ø 500	Ø 620	Ø 780	Ø 930
A	450	500	620	780	930
B	925	955	980	1075	1180
Connection mm/inc	50 / 11/2"	50 / 11/2"	50 / 11/2"	63 / 2"	63 / 2"
Flow (m ³ /h) 50 m ³ /h/m ²	8	10	14	23	33
filtration surface m ²	0,16	0,19	0,3	0,46	0,66
sand kg	75	100	125	250	375
glass 1 kg	50	50	75	125	175
glass 2 kg	25	50	50	125	75
glass 3 kg					100

Premium Laminated Top Filters



- Made of polyester and fiberglass resin
- Side mounting multiport valve with air purge and pressure gauge
- Maximum operating pressure : 2,5 kg/cm²
- Maximum test pressure 4 kg/cm²
- Maximum temprature 40 °C

Code	Description
03100450	Ø 450
03100500	Ø 500
03100600	Ø 600
03100750	Ø 750
03100900	Ø 900



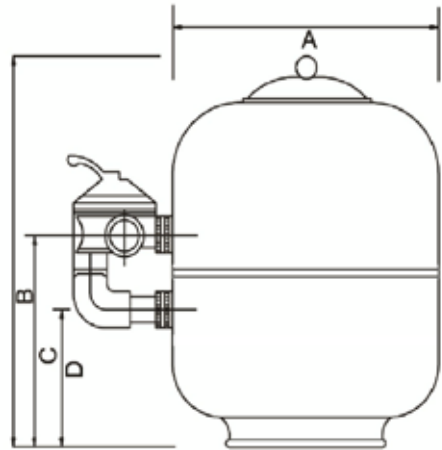
	Ø 450	Ø 500	Ø 600	Ø 750	Ø 900
A	450	500	600	750	900
B	925	955	980	1075	1180
Connection mm/inc	50 / 1 1/2"	50 / 1 1/2"	50 / 1 1/2"	63 / 2"	63 / 2"
Flow (m ³ /h) 50 m ³ /h/m ²	8	10	14	23	33
filtration surface m ²	0,16	0,19	0,3	0,46	0,66
sand kg	75	100	125	250	375
glass 1 kg	50	50	75	125	175
glass 2 kg	25	50	50	125	75
glass 3 kg					100

Cardis Injection Filters



- Made of Copolymer PP
- Side mounting multiport valve with air purge and pressure gauge
- Maximum operating pressure : 2,5 kg/cm²
- Maximum test pressure 4 kg/cm²
- Maximum temprature 40 °C

Code	Description
03110522	Ø 520
03110652	Ø 650



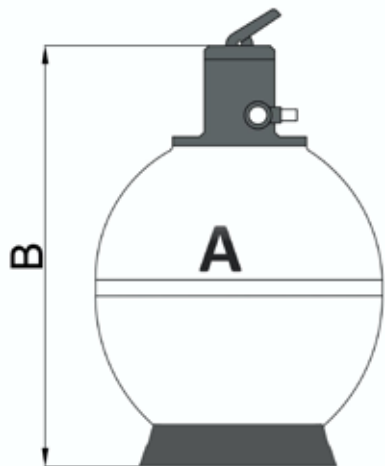
	Ø 520	Ø 650
A	520	650
B	805	890
C	460	480
D	310	330
Connection mm/inc	50 / 1 1/2"	50 / 1 1/2"
Flow (m ³ /h) 50 m ³ /h/m ²	11	17
filtration surface m ²	0,21	0,33
sand kg	100	150
glass 1 kg	50	75
glass 2 kg	50	75
glass 3 kg		

Cardis Injection Top Filters



- Made of Copolymer PP
- Side mounting multiport valve with air purge and pressure gauge
- Maximum operating pressure : 2,5 kg/cm²
- Maximum test pressure 4 kg/cm²
- Maximum temprature 40 °C

Code	Description
03120520	Ø 520
03120650	Ø 650



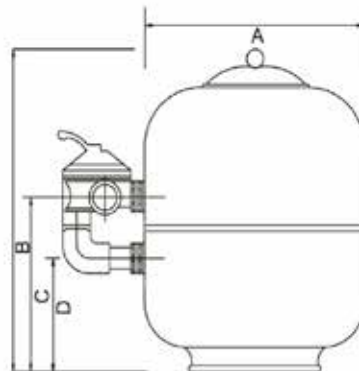
	Ø 520	Ø 650
A	520	650
B	835	980
Connection mm/inc	50 / 11/2"	50 / 11/2"
Flow (m ³ /h) 50 m ³ /h/m ²	11	17
filtration surface m ²	0,21	0,33
sand kg	100	150
glass 1 kg	50	75
glass 2 kg	50	75
glass 3 kg		

Commercial Pool Laminated Filters



- Made of polyester and fiberglass resin
- Maximum operating pressure : 2,5 kg/cm²
- Maximum test pressure 4 kg/cm²
- Maximum temprature 40 °C

Code	Description
03011050	Ø 1050
03011250	Ø 1250
03011400	Ø 1400
03011600	Ø 1600
03012000	Ø 2000



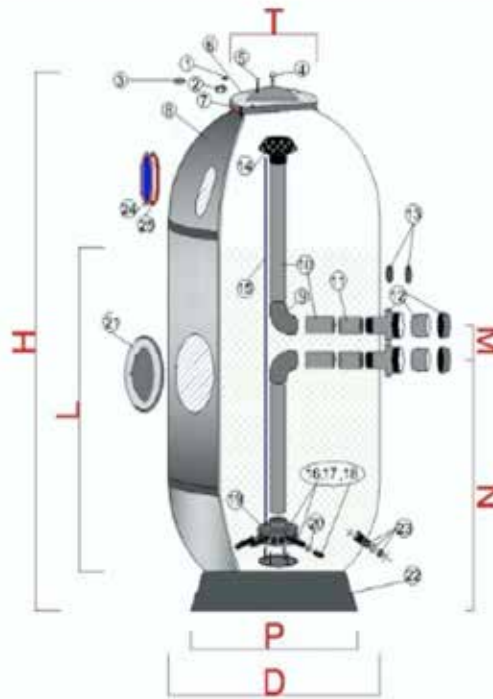
	Ø 1050	Ø 1250	Ø 1400	Ø 1600	Ø 1800	Ø 2000
A	1050	1250	1400	1600	1800	2000
B	1450	1500	1680	1850	2000	2030
C	780	845	980	1160	1205	1345
D	510	545	640	725	750	775
Connection mm/inc	75 / 2½"	90 / 3"	110 / 4"	110 / 4"	140 / 5"	140 / 5"
Flow (m ³ /h) 50 m ³ /h/m ²	43	58	77	100	127	157
filtration surface m ²	0,86	1,18	1,54	2,01	2,54	3,147
sand kg	1050	1400	2000	2800	3800	4500
glass 1 kg	650	850	1200	1700	2400	2850
glass 2 kg	150	175	250	350	500	600
glass 3 kg	150	175	250	350	500	600

Elite Laminated Filters



- Made of polyester and fiberglass resin
- Bed height 800 mm
- Side mounting multiport valve with air purge and pressure gauge
- Maximum operating pressure : 2,5 kg/cm²
- Maximum test pressure 4 kg/cm²
- Maximum temprature 40 °C

Code Lateral	Code Nozzle p	Description
03020450	03020451	Ø 450
03020620	03020621	Ø 620
03020820	03020821	Ø 820
03020930	03020931	Ø 930



Code	D	M	N	P	H	L	T	Connection	Flow	filtration surface m ²	sand	Glass 1	Glass 2	Glass3
								Mm/inch	(m ³ /h)		kg	kg	kg	kg
03020450	Ø450	150	480	450	1320	800	290	50 / 1 1/2"	8/5	0,16	200	100	75	
03020620	Ø620	150	480	660	1320	800	290	50 / 1 1/2"	14/9	0,3	350	150	150	
03020820	Ø820	230	610	660	1600	800	290	63/2"	27/16	0,53	625	275	275	
03020930	Ø930	230	610	660	1600	800	290	63/2" 75/21/2"	34/20	0,68	800	350	175	175

Elite Laminated Filters with plexi Lid



- Made of polyester and fiberglass resin
- Bed height 800 mm
- Side mounting multiport valve with air purge and pressure gauge
- Maximum operating pressure : 2,5 kg/cm²
- Maximum test pressure 4 kg/cm²
- Maximum temprature 40 °C

Code Lateral	Code Nozzle p	Description
03020452	03020453	Ø 450
03020622	03020623	Ø 620
03020822	03020823	Ø 820
03020932	03020933	Ø 930



Code	D	M	N	P	H	L	T	Connection	Flow	filtration surface m ²	sand	Glass 1	Glass 2	Glass 3
								Mm/inch	(m ³ /h)		kg	kg	kg	kg
03020452	Ø450	150	480	450	1275	800	290	50 / 1 1/2"	8/5	0,16	200	100	75	
03020622	Ø620	150	480	660	1275	800	290	50 / 1 1/2"	14/9	0,3	350	150	150	
03020822	Ø820	230	610	660	1555	800	290	63/2"	27/16	0,53	625	275	275	
03020932	Ø930	230	610	660	1555	800	290	63/2"	34/20	0,68	800	350	175	175
								75/21/2"						



Iris Laminated Filters



- Made of polyester and fiberglass resin
- Bed height 1.000 mm
- Side mounting multiport valve with air purge and pressure gauge (only for Ø450mm-Ø930 mm filters)
- Maximum operating pressure : 2,5 kg/cm²
- Maximum test pressure 4 kg/cm²
- Maximum temprature 40 °C

Code Latteral	Code Nozzle p	Description
03030450	03030451	Ø 450
03030620	03030621	Ø 620
03030660	03030661	Ø 660
03030820	03030821	Ø 820
03030930	03030931	Ø 930
03031050	03031051	Ø 1050
03031250	03031251	Ø 1250



Code	D	M	N	P	H	L	T	Connection mm / "	Flow (m ³ /h)	Filtration surface m ²	sand kg	Glass 1 kg	Glass 2 kg	Glass 3 kg
									50 m ³ /h/m ²					
									/					
									30 m ³ /h/m ²					
03030450	Ø450	150	480	490	1850	1000	290	50 / 1 ½"	8/5	0,16	250	125	100	
03030620	Ø620	150	480	490	1850	1000	290	50 / 1 ½"	14/9	0,3	450	225	200	
03030660	Ø660	150	500	660	1850	1000	290	50 / 1 ½"	18/11	0,34	525	250	225	
03030820	Ø820	230	610	660	1950	1000	290	63/2"	27/16	0,53	800	375	350	
03030930	Ø930	230	610	660	1950	1000	290	63/2"	34/20	0,68	1000	625	150	150
								75/2 ½"						
03031050	Ø1050	280	620	850	2300	1000	540	75/2 ½"	43/27	0,86	1300	825	175	175
03031250	Ø1250	300	640	1000	2300	1000	540	90/3"	58/37	1,23	1850	1150	250	250

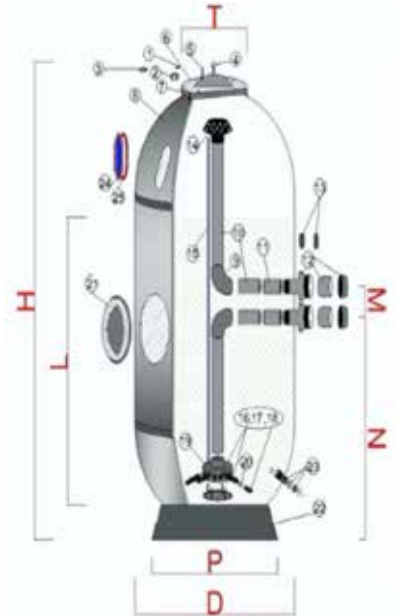


Iris Laminated Filters With Plexi Lid



- Made of polyester and fiberglass resin
- Bed height 1.000 mm
- Side mounting multiport valve with air purge and pressure gauge (only for Ø450mm-Ø930 mm filters)
- Maximum operating pressure : 2,5 kg/cm²
- Maximum test pressure 4 kg/cm²
- Maximum temprature 40 °C

Code Lateral	Code Nozzle p	Description
03030452	03030453	Ø 450
03030622	03030623	Ø 620
03030662	03030663	Ø 660
03030822	03030823	Ø 820
03030932	03030933	Ø 930



Code	D	M	N	P	H	L	T	Connection mm / "	Flow (m ³ /h)	Filtration surface m ²	sand kg	Glass 1 kg	Glass 2 kg	Glass 3 kg
									50 m ³ /h/m ²					
									30 m ³ /h/m ²					
03030452	Ø450	150	480	490	1805	1000	290	50 / 1 ½"	8/5	0,16	250	125	100	
03030622	Ø620	150	480	490	1805	1000	290	50 / 1 ½"	14/9	0,3	450	225	200	
03030662	Ø660	150	500	660	1805	1000	290	50 / 1 ½"	18/11	0,34	525	250	225	
03030822	Ø820	230	610	660	1905	1000	290	63/2"	27/16	0,53	800	375	350	
03030932	Ø930	230	610	660	1905	1000	290	63/2" 75/21/2"	34/20	0,68	1000	625	150	150

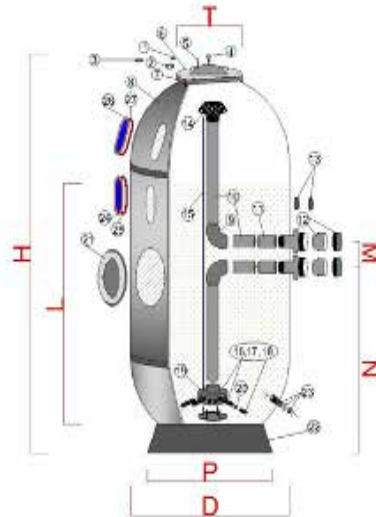


Elite Pluss Laminated Filters



- Made of polyester and fiberglass resin
- Bed height 1.200 mm
- Side mounting multiport valve with air purge and pressure gauge (only for Ø450mm-Ø930 mm filters)
- Maximum operating pressure : 2,5 kg/cm²
- Maximum test pressure 4 kg/cm²
- Maximum temprature 40 °C

Code Lateral	Code Nozzle p	Description
03040450	03040451	Ø 450
03040620	03040621	Ø 620
03040820	03040821	Ø 820
03040930	03040931	Ø 930
03041050	03041051	Ø 1050
03041250	03041251	Ø 1250
03041400	03041401	Ø 1400
03041800	03041801	Ø 1800



Code	D	M	N	P	H	L	T	Connection mm /"	Flow (m ³ /h)	Filtration surface m ²	sand kg	Glass 1 kg	Glass 2 kg	Glass 3 kg
									50 m ³ /h/m ²					
									/					
									30 m ³ /h/m ²					
03040450	Ø450	150	480	490	1950	1200	290	50 / 1 ½"	8/5	0,16	275	125	125	
03040620	Ø620	150	480	490	1950	1200	290	50 / 1 ½"	14/9	0,3	525	225	225	
03040820	Ø820	230	610	660	2100	1200	290	63/2"	27/16	0,53	925	425	425	
03040930	Ø930	230	610	660	2100	1200	290	63/2" 75/21/2"	34/20	0,68	1200	775	175	175
03041050	Ø1050	280	620	850	2300	1200	540	75/2 ½"	43/27	0,86	1500	950	200	200
03041250	Ø1250	300	640	1000	2400	1200	540	90/3"	58/37	1,23	2150	1425	300	300
03041400	Ø1400	350	660	1000	2400	1200	540	110/4"	77/46	1,54	2700	1750	375	375
03041600	Ø1600	350	720	1000	2400	1200	540	110/4"	100/60	2,01	3600	2275	500	475
03041800	Ø1800	350	720	1000	2400	1200	540	140/5"	126/76	2,54	4500	2800	600	600

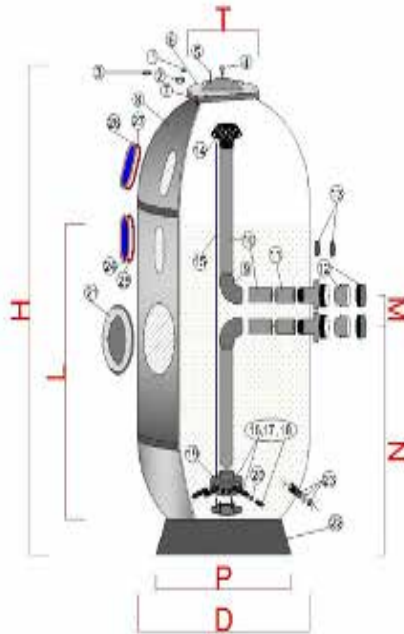


Elite Pluss Laminated Filters With Plexi Lid



- Made of polyester and fiberglass resin
- Bed height 1.200 mm
- Side mounting multiport valve with air purge and pressure gauge (only for Ø450mm-Ø930 mm filters)
- Maximum operating pressure : 2,5 kg/cm²
- Maximum test pressure 4 kg/cm²
- Maximum temprature 40 °C

Code Lateral	Code Nozzle p	Description
03040452	03040453	Ø 450
03040622	03040623	Ø 620
03040822	03040823	Ø 820
03040932	03040933	Ø 930



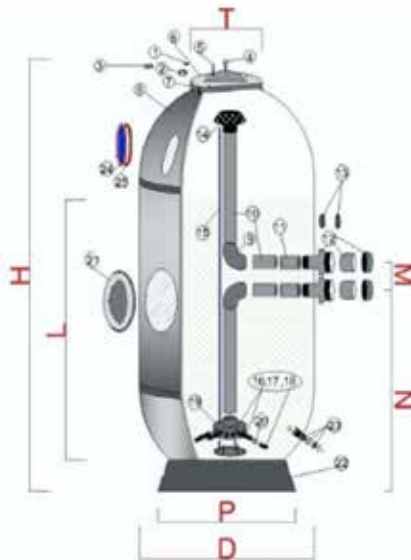
Code	D	M	N	P	H	L	T	Connection mm / "	Flow (m ³ /h)	Filtration surface m ²	sand kg	Glass 1 kg	Glass 2 kg	Glass 3 kg
									50 m ³ /h/m ²					
									/					
									30 m ³ /h/m ²					
03040452	Ø450	150	480	490	1905	1200	290	50 / 1 ½"	8/5	0,16	275	125	125	
03040622	Ø620	150	480	490	1905	1200	290	50 / 1 ½"	14/9	0,3	525	225	225	
03040822	Ø820	230	610	660	2055	1200	290	63/2"	27/16	0,53	925	425	425	
03040932	Ø930	230	610	660	2055	1200	290	63/2" 75/21/2"	34/20	0,68	1200	775	175	175

Elite Laminated Ozone Filters



- Made of polyester,vinylester and fiberglass resin
- Bed height 800 mm
- Side mounting multiport valve with air purge and pressure gauge (only for Ø450mm-Ø930 mm filters)
- Maximum operating pressure : 2,5 kg/cm²
- Maximum test pressure 4 kg/cm²
- Maximum temprature 40 °C

Code	Description
03060450	Ø 450
03060620	Ø 620
03060820	Ø 820
03060930	Ø 930



Code	D	M	N	P	H	L	T	Connection	Flow	filtration surface m ²	sand	Glass 1	Glass 2	Glass3
								Mm/inch	(m ³ /h)		kg	kg	kg	kg
03060450	Ø450	150	480	450	1320	800	290	50 / 1 1/2"	8/5	0,16	200	100	75	
03060620	Ø620	150	480	660	1320	800	290	50 / 1 1/2"	14/9	0,3	350	150	150	
03060820	Ø820	230	610	660	1600	800	290	63/2"	27/16	0,53	625	275	275	
03060930	Ø930	230	610	660	1600	800	290	63/2"	34/20	0,68	800	350	175	175
								75/21/2"						

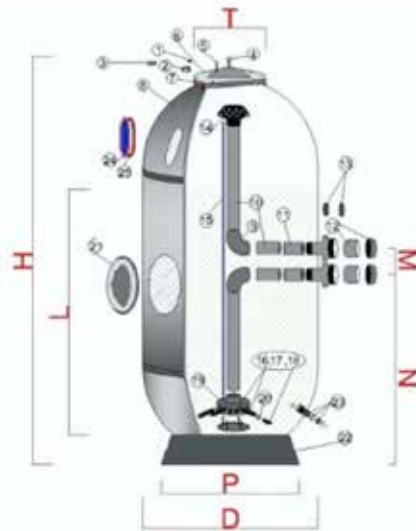


Elite Laminated Ozone Filters With Plexi Lid



- Made of polyester,vinylester and fiberglass resin
- Bed height 800 mm
- Side mounting multiport valve with air purge and pressure gauge (only for Ø450mm-Ø930 mm filters)
- Maximum operating pressure : 2,5 kg/cm²
- Maximum test pressure 4 kg/cm²
- Maximum temprature 40 °C

Code	Description
03060452	Ø 450
03060622	Ø 620
03060822	Ø 820
03060932	Ø 930



Code	D	M	N	P	H	L	T	Connection	Flow	filtration surface m ²	sand	Glass 1	Glass 2	Glass3
								Mm/inch	(m ³ /h)		kg	kg	kg	kg
03060452	Ø450	150	480	450	1275	800	290	50 / 1 1/2"	8/5	0,16	200	100	75	
03060622	Ø620	150	480	660	1275	800	290	50 / 1 1/2"	14/9	0,3	350	150	150	
03060822	Ø820	230	610	660	1555	800	290	63/2"	27/16	0,53	625	275	275	
03060932	Ø930	230	610	660	1555	800	290	63/2"	34/20	0,68	800	350	175	175
								75/21/2"						

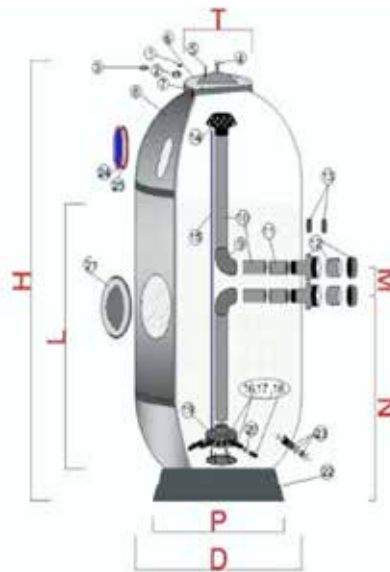


Iris Laminated Ozone Filters



- Made of polyester,vinylester and fiberglass resin
- Bed height 1.000 mm
- Side mounting multiport valve with air purge and pressure gauge (only for Ø450mm-Ø930 mm filters)
- Maximum operating pressure : 2,5 kg/cm²
- Maximum test pressure 4 kg/cm²
- Maximum temprature 40 °C

Code	Description
03070450	Ø 450
03070620	Ø 620
03070660	Ø 660
03070820	Ø 820
03070930	Ø 930
03071050	Ø 1050
03071250	Ø 1250



Code	D	M	N	P	H	L	T	Connection mm / "	Flow (m ³ /h)	Filtration surface m ²	sand kg	Glass 1 kg	Glass 2 kg	Glass 3 kg
									50 m ³ /h/m ²					
									/					
									30 m ³ /h/m ²					
03070450	Ø450	150	480	490	1850	1000	290	50 / 1 ½"	8/5	0,16	250	125	100	
03070620	Ø620	150	480	490	1850	1000	290	50 / 1 ½"	14/9	0,3	450	225	200	
03070660	Ø660	150	500	660	1850	1000	290	50 / 1 ½"	18/11	0,34	525	250	225	
03070820	Ø820	230	610	660	1950	1000	290	63/2"	27/16	0,53	800	375	350	
03070930	Ø930	230	610	660	1950	1000	290	63/2" 75/21/2"	34/20	0,68	1000	625	150	150
03071050	Ø1050	280	620	850	2300	1000	540	75/2 ½"	43/27	0,86	1300	825	175	175
03071250	Ø1250	300	640	1000	2300	1000	540	90/3"	58/37	1,23	1850	1150	250	250

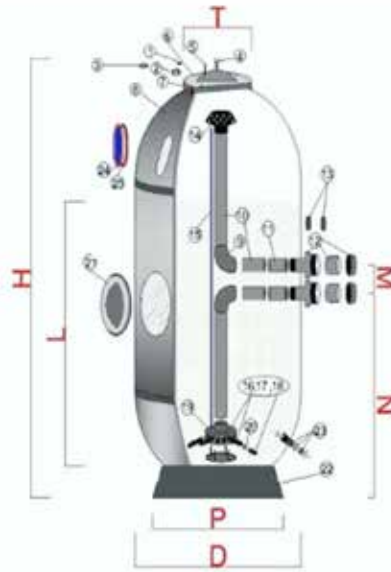


Iris Laminated Ozone Filters With Plexi Lid



- Made of polyester,vinylester and fiberglass resin
- Bed height 1.000 mm
- Side mounting multiport valve with air purge and pressure gauge (only for Ø450mm-Ø930 mm filters)
- Maximum operating pressure : 2,5 kg/cm²
- Maximum test pressure 4 kg/cm²
- Maximum temprature 40 °C

Code	Description
03070452	Ø 450
03070622	Ø 620
03070662	Ø 660
03070822	Ø 820
03070932	Ø 930



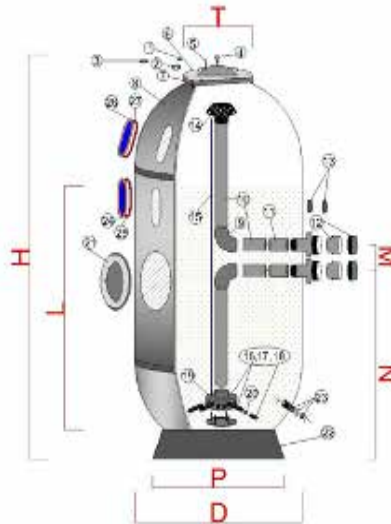
Code	D	M	N	P	H	L	T	Connection mm / "	Flow (m ³ /h)	Filtration surface m ²	sand kg	Glass 1 kg	Glass 2 kg	Glass 3 kg
									50 m ³ /h/m ²					
									/					
									30 m ³ /h/m ²					
03070452	Ø450	150	480	490	1805	1000	290	50 / 1 ½"	8/5	0,16	250	125	100	
03070622	Ø620	150	480	490	1805	1000	290	50 / 1 ½"	14/9	0,3	450	225	200	
03070662	Ø660	150	500	660	1805	1000	290	50 / 1 ½"	18/11	0,34	525	250	225	
03070822	Ø820	230	610	660	1905	1000	290	63/2"	27/16	0,53	800	375	350	
03070932	Ø930	230	610	660	1905	1000	290	63/2" 75/21/2"	34/20	0,68	1000	625	150	150

Elite Pluss Laminated Ozone Filters



- Made of polyester,vinylester and fiberglass resin
- Bed height 1.200 mm
- Side mounting multiport valve with air purge and pressure gauge (only for Ø450mm-Ø930 mm filters)
- Maximum operating pressure : 2,5 kg/cm²
- Maximum test pressure 4 kg/cm²
- Maximum temprature 40 °C

Code	Description
03080450	Ø 450
03080620	Ø 620
03080820	Ø 820
03080930	Ø 930
03081050	Ø 1050
03081250	Ø 1250
03081400	Ø 1400
03081800	Ø 1800



Code	D	M	N	P	H	L	T	Connection mm / "	Flow (m ³ /h)	Filtration surface m ²	sand kg	Glass 1 kg	Glass 2 kg	Glass 3 kg
									50 m ³ /h/m ²					
									30 m ³ /h/m ²					
03080450	Ø450	150	480	490	1950	1200	290	50 / 1 ½"	8/5	0,16	275	125	125	
03080620	Ø620	150	480	490	1950	1200	290	50 / 1 ½"	14/9	0,3	525	225	225	
03080820	Ø820	230	610	660	2100	1200	290	63/2"	27/16	0,53	925	425	425	
03080930	Ø930	230	610	660	2100	1200	290	63/2" 75/21½"	34/20	0,68	1200	775	175	175
03081050	Ø1050	280	620	850	2300	1200	540	75/2 ½"	43/27	0,86	1500	950	200	200
03081250	Ø1250	300	640	1000	2400	1200	540	90/3"	58/37	1,23	2150	1425	300	300
03081400	Ø1400	350	660	1000	2400	1200	540	110/4"	77/46	1,54	2700	1750	375	375
03081600	Ø1600	350	660	1000	2400	1200	540	110/4"	100/60	2,01	3600	2275	500	475
03081800	Ø1800	350	660	1000	2400	1200	540	140/5"	126/76	2,54	4500	2800	600	600

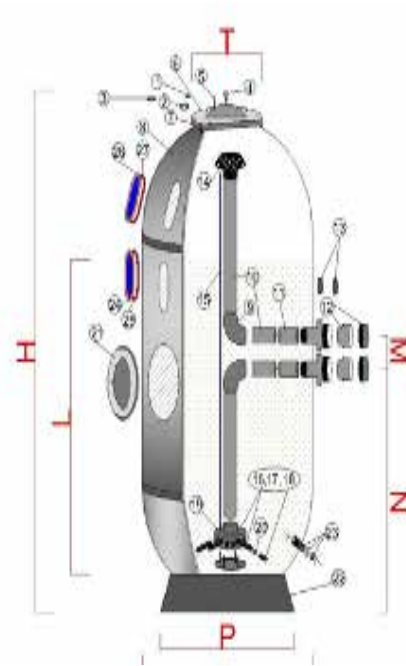


Elite Pluss Laminated Ozone Filters With Plexi Lid

- Made of polyester,vinylester and fiberglass resin
- Bed height 1.200 mm
- Side mounting multiport valve with air purge and pressure gauge (only for Ø450mm-Ø930 mm filters)
- Maximum operating pressure : 2,5 kg/cm²
- Maximum test pressure 4 kg/cm²
- Maximum temprature 40 °C



Code	Description
03080452	Ø 450
03080622	Ø 620
03080822	Ø 820
03080932	Ø 930



Code	D	M	N	P	H	L	T	Connection mm / "	Flow (m ³ /h)	Filtration surface m ²	sand kg	Glass 1 kg	Glass 2 kg	Glass 3 kg
									50 m ³ /h/m ²					
									/					
									30 m ³ /h/m ²					
03080452	Ø450	150	480	490	1905	1200	290	50 / 1 ½"	8/5	0,16	275	125	125	
03080622	Ø620	150	480	490	1905	1200	290	50 / 1 ½"	14/9	0,3	525	225	225	
03080822	Ø820	230	610	660	2055	1200	290	63/2"	27/16	0,53	925	425	425	
03080932	Ø930	230	610	660	2055	1200	290	63/2" 75/21/2"	34/20	0,68	1200	775	175	175



Pi London Filter Spare Parts & Multiport Valves



Code	Description
03900300	ABS Lateral 8 arms



Code	Description
03900298	Nozzle
03900299	Nozzle Lid



Code	Description
03210105	Quartz Sand 0,7-1,2 mm
03210106	Quartz Sand 1,0-3,0 mm



Code	Description
03230101	Glass 0,5-1,2 mm
03230102	Glass 1,2-3 mm
03230103	Glass 3,0-5,0 mm



Multiport Valves

Code	Description
03190112	1 1/2"
03190200	2"
03190212	2 1/2"
03190300	3"

Manhole Room Cover



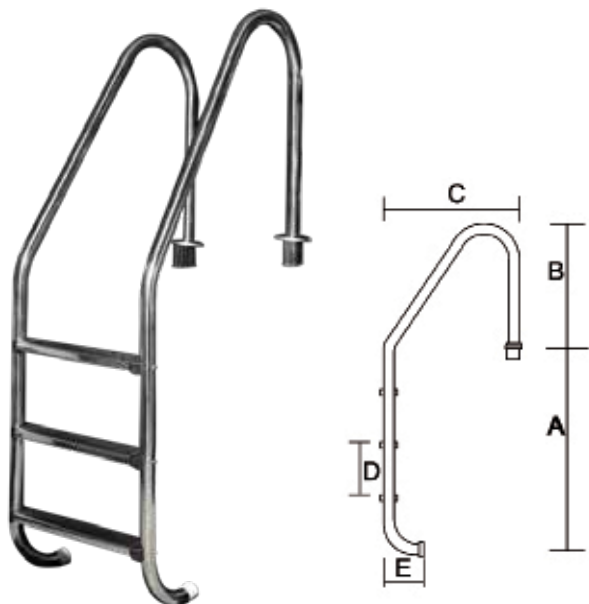
Code	Description	Description
03317070	700 mm x 700 mm	840 mm x 840 mm
03318080	800 mm x 800 mm	940 mm x 940 mm
03319090	900 mm x 900 mm	1040 mm x 1040 mm



Code	Description	Description
03317071	700 mm x 700 mm	840 mm x 840 mm
03318081	800 mm x 800 mm	940 mm x 940 mm
03319091	900 mm x 900 mm	1040 mm x 1040 mm

S.Steel Ladders Standart Model

- AISI 304-316
- Stainless steel
- With anchors and escutcheon plate
- Ø 42,4 mm x 1,2mm

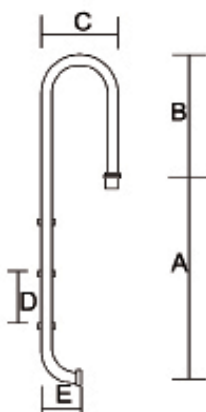


Steps	A	B	C	D	E
2	650	650	700	250	180
3	950	650	700	250	180
4	1150	650	700	250	180
5	1400	650	700	250	180

Code	Description	Steps
04013102	AISI 304 Stainless Steel Ladders Standart Model	2
04013103	AISI 304 Stainless Steel Ladders Standart Model	3
04013104	AISI 304 Stainless Steel Ladders Standart Model	4
04013105	AISI 304 Stainless Steel Ladders Standart Model	5

Code	Description	Steps
04013402	AISI 316 Stainless Steel Ladders Standart Model	2
04013403	AISI 316 Stainless Steel Ladders Standart Model	3
04013404	AISI 316 Stainless Steel Ladders Standart Model	4
04013405	AISI 316 Stainless Steel Ladders Standart Model	5

S.Steel Ladders Muro Model



- AISI 304-316
- Stainless steel
- With anchors and escutcheon plate
- Ø 42,4 mm x 1,2mm

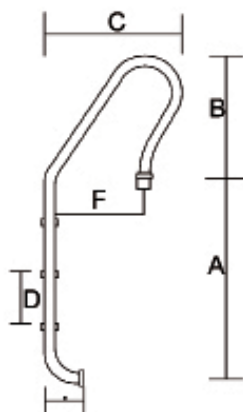
Steps	A	B	C	D	E
2	650	650	330	250	180
3	950	650	330	250	180
4	1150	650	330	250	180
5	1400	650	330	250	180

Code	Description	Steps
04013202	AISI 304 Stainless Steel Ladders Muro Model	2
04013203	AISI 304 Stainless Steel Ladders Muro Model	3
04013204	AISI 304 Stainless Steel Ladders Muro Model	4
04013205	AISI 304 Stainless Steel Ladders Muro Model	5

Code	Description	Steps
04013502	AISI 316 Stainless Steel Ladders Muro Model	2
04013503	AISI 316 Stainless Steel Ladders Muro Model	3
04013504	AISI 316 Stainless Steel Ladders Muro Model	4
04013505	AISI 316 Stainless Steel Ladders Muro Model	5

S.Steel Ladders Mixta Model

- AISI 304-316
- Stainless steel
- With anchors and escutcheon plate
- Ø 42,4 mm x 1,2mm

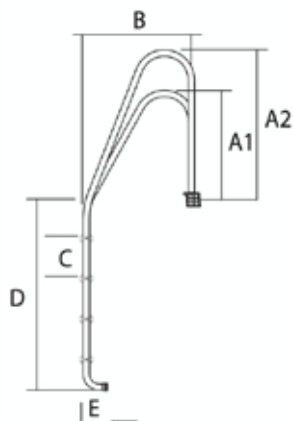


Steps	A	B	C	D	E
2	650	650	560	250	180
3	950	650	560	250	180
4	1150	650	560	250	180
5	1400	650	560	250	180

Code	Description	Steps
04013302	AISI 304 Stainless Steel Ladders Mixta Model	2
04013303	AISI 304 Stainless Steel Ladders Mixta Model	3
04013304	AISI 304 Stainless Steel Ladders Mixta Model	4
04013305	AISI 304 Stainless Steel Ladders Mixta Model	5

Code	Description	Steps
04013602	AISI 316 Stainless Steel Ladders Mixta Model	2
04013603	AISI 316 Stainless Steel Ladders Mixta Model	3
04013604	AISI 316 Stainless Steel Ladders Mixta Model	4
04013605	AISI 316 Stainless Steel Ladders Mixta Model	5

S.Steel Ladders Asymmetric Model



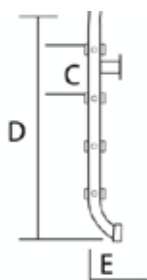
- AISI 304-316
- Stainless steel
- With anchors and escutcheon plate
- Ø 42,4 mm x 1,2mm

Steps	A1	A2	B	C	D	E
2	650	920	700	250	650	180
3	650	920	700	250	950	180
4	650	920	700	250	1150	180
5	650	920	700	250	1400	180

Code	Description	Steps
04013702	AISI 304 Stainless Steel Ladders Asymmetric Model	2
04013703	AISI 304 Stainless Steel Ladders Asymmetric Model	3
04013704	AISI 304 Stainless Steel Ladders Asymmetric Model	4
04013705	AISI 304 Stainless Steel Ladders Asymmetric Model	5

Code	Description	Steps
04013712	AISI 316 Stainless Steel Ladders Asymmetric Model	2
04013713	AISI 316 Stainless Steel Ladders Asymmetric Model	3
04013714	AISI 316 Stainless Steel Ladders Asymmetric Model	4
04013715	AISI 316 Stainless Steel Ladders Asymmetric Model	5

S.Steel Ladders Spilt Model



- AISI 304-316
- Stainless steel
- With anchors and escutcheon plate
- Ø 42,4 mm x 1,2mm

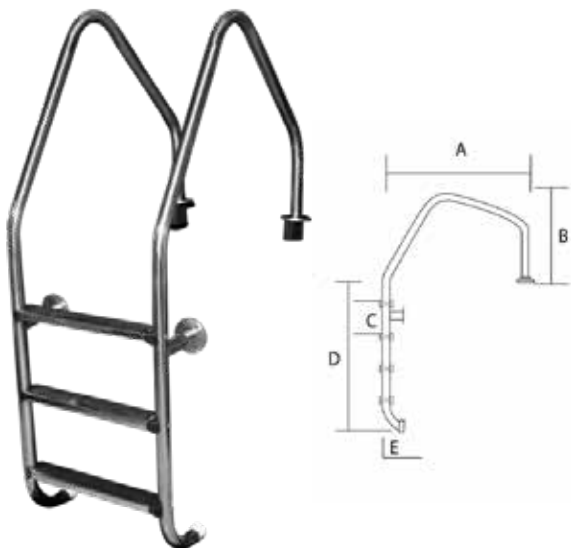
Steps	C	D	E
2	250	650	180
3	250	900	180
4	250	1150	180
5	250	1400	180

Code	Description	Steps
04013902	AISI 304 Stainless Steel Ladders Split Model	2
04013903	AISI 304 Stainless Steel Ladders Spilt Model	3
04013904	AISI 304 Stainless Steel Ladders Split Model	4
04013905	AISI 304 Stainless Steel Ladders Split Model	5

Code	Description	Steps
04013912	AISI 316 Stainless Steel Ladders Split Model	2
04013913	AISI 316 Stainless Steel Ladders Split Model	3
04013914	AISI 316 Stainless Steel Ladders Split Model	4
04013915	AISI 316 Stainless Steel Ladders Split Model	5

S.Steel Ladders Overflow Model

- AISI 304-316
- Stainless steel
- With anchors and escutcheon plate
- Ø 42,4 mm x 1,2mm

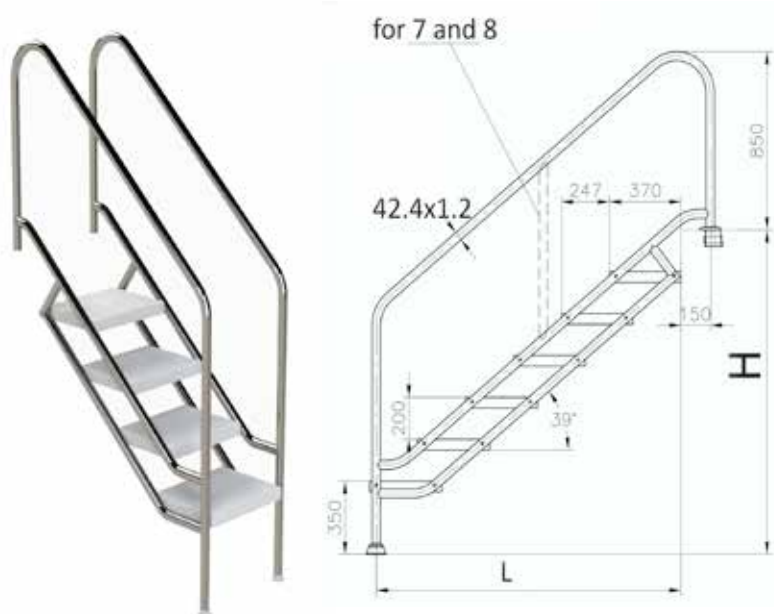


Steps	A	B	C	D	E
2	1020	720	250	650	180
3	1020	720	250	900	180
4	1020	720	250	1150	180
5	1020	720	250	1400	180

Code	Description	Steps
04013802	AISI 304 Stainless Steel Ladders Overflow Model	2
04013803	AISI 304 Stainless Steel Ladders Overflow Model	3
04013804	AISI 304 Stainless Steel Ladders Overflow Model	4
04013805	AISI 304 Stainless Steel Ladders Overflow Model	5

Code	Description	Steps
04013812	AISI 316 Stainless Steel Ladders Overflow Model	2
04013813	AISI 316 Stainless Steel Ladders Overflow Model	3
04013814	AISI 316 Stainless Steel Ladders Overflow Model	4
04013815	AISI 316 Stainless Steel Ladders Overflow Model	5

S.Steel Ladders Tuscan Model



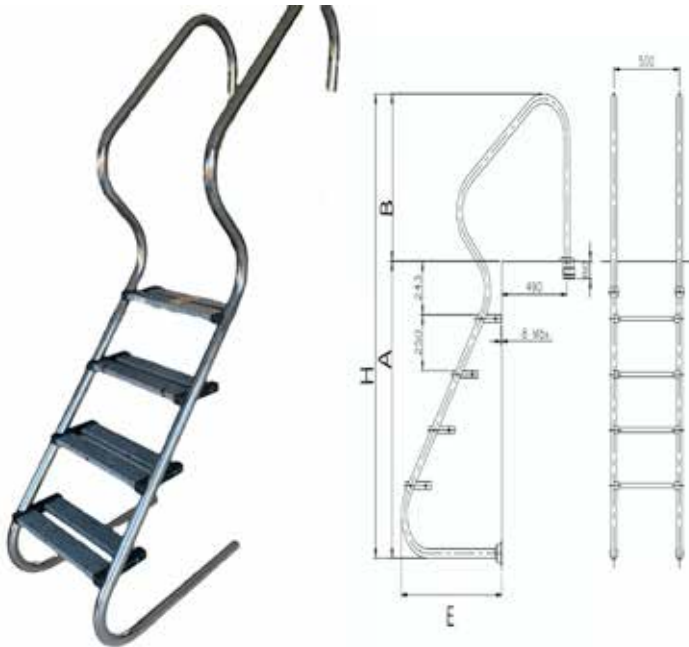
- AISI 304-316
- Stainless steel
- With anchors and escutcheon plate
- Ø 42,4 mm x 1,2mm

Steps	H	L
4	1150	1075
5	1350	1325
6	1550	1570
7	1750	1820
8	1950	2065

Code	Description	Steps
040141004	AISI 304 Stainless Steel Ladders Tuscan Model	4
040141005	AISI 304 Stainless Steel Ladders Tuscan Model	5
040141006	AISI 304 Stainless Steel Ladders Tuscan Model	6
040141007	AISI 304 Stainless Steel Ladders Tuscan Model	7
040141008	AISI 304 Stainless Steel Ladders Tuscan Model	8

Code	Description	Steps
040141014	AISI 316 Stainless Steel Ladders Tuscan Model	4
040141015	AISI 316 Stainless Steel Ladders Tuscan Model	5
040141016	AISI 316 Stainless Steel Ladders Tuscan Model	6
040141017	AISI 316 Stainless Steel Ladders Tuscan Model	7
040141018	AISI 316 Stainless Steel Ladders Tuscan Model	8

S.Steel Ladders Furcan Model



- AISI 304-316
- Stainless steel
- With anchors and escutcheon plate
- Ø 42,4 mm x 1,2mm

Steps	A	B	H	C	E
3	1085	750	1835	250	579
4	1335	750	2085	250	754
5	1585	750	2335	250	929

Code	Description	Steps
04014003	AISI 304 Stainless Steel Ladders Furcan Model	3
04014004	AISI 304 Stainless Steel Ladders Furcan Model	4
04014005	AISI 304 Stainless Steel Ladders Furcan Model	5

Code	Description	Steps
04014013	AISI 316 Stainless Steel Ladders Furcan Model	3
04014014	AISI 316 Stainless Steel Ladders Furcan Model	4
04014015	AISI 316 Stainless Steel Ladders Furcan Model	5

Ladders Accessories

- Made in plastic for D.42,4 mm pipe



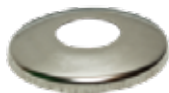
Code	Description
04076100	Plastic Ladder Anchor

- AISI 304 S.S. for D.42,4 mm diameter



Code	Description
04076107	AISI 304 Ladder Anchor

- Escutcheon plate AISI 304 S.S. for ladder handles of D.42,4 mm diameter



Code	Description
04076101	Escutcheon Plate

- Ladder foot pad for handles of D.42,4 mm



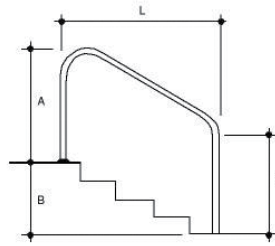
Code	Description
04076102	Ladder Foot Pad



- Non-slip safety step
- Steps in AISI 304 with polished finish
- For pipe of D.43 mm. and width : 500 mm

Code	Description
04076103	Steps in AISI 304 with Polished Finish

Pool Handrails



L	A	B
1220	800	680
1524	800	855

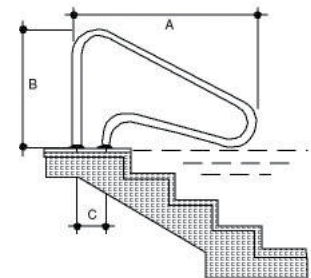
- AISI 304-316
- Stainless steel
- Ø 43mm x 1,2mm

Code	Description
04013120	Pool Handles Stairs (Inside Pool) AISI 304 L: 1220
04013121	Pool Handles Stairs (Inside Pool) AISI 304 L: 1524



- AISI 304-316
- Stainless steel
- Ø 42,4 mm x 1,2mm

Code	Description
04013110	Handrail 0,5 mt. AISI 304
04013111	Handrail 1 mt. AISI 304
04013112	Handrail 2 mt. AISI 304
04013113	Handrail 2,5 mt. AISI 304

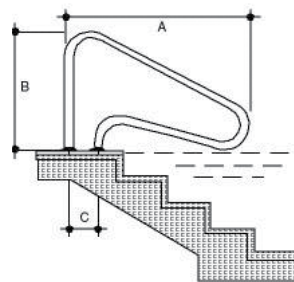


A	B	C
1250	850	209

Code	Description
04013130	Pool Handles Stairs (Outside Pool) AISI 304

Pool Handrails

- AISI 304-316
- Stainless steel
- Ø 43mm x 1,2mm



Code	Description
04013140	50x80 Pool Handrail with rectangular base AISI 304

Model	A	B	C
50x80	50	85	20



Code	Description
04013150	80x80 Pool Handrail AISI 304

Model	A	B	C
80x80	80	80	27



Code	Description
04013160	47x80 Pool Handrail with rectangular base AISI 304
04013170	47x80 Pool Handrail AISI 304

Model	A	B	C
47x80	47	80	22,5



Code	Description
04013180	Pool Handrail with rectangular base AISI 304

Model	A	B	C
80x57	80	57	22,5



Code	Description
04013190	92x105 Pool Handrail AISI 304

Model	A	B	C
92x105	92	105	20,3

Diving Board, Slides & Showers



- Polyester and fiberglass reinforced
- Together with polyester base
- Lengths 2 m

Code	Description
04081200	Diving Board



- Polyester and fiberglass reinforced
- Polyester steps, stainless steel grab rails
- Stainless steel base with supports
- Height : 1.8 m
- Right curve or left curve

Code	Description
04090180	Right Curve Slide
04091180	Left Curve Slide



- Standart shower with one head
- AISI 304 stainless steel
- With footwash tap

Code	Description
04100100	Tekli Duş Shower One Head

Overflow Grates



- Overflow Gratings
- Made of polypropylene
- Protected against UV rays
- H:2,5 cm

Code	Description	Packing (m)
05010150	150 mm Single Link Overflow Grates	10
05010200	200 mm Single Link Overflow Grates	10



Code	Description	Packing (m)
05010250	250 mm Single Link Overflow Grates	10



Code	Description	Packing (m)
05020200	200 mm Double Link Overflow Grates	10



Code	Description	Packing (m)
05020250	250 mm Double Link Overflow Grates	10
05020300	300 mm Double Link Overflow Grates	10



Code	Description
05102090	200 mm 90°

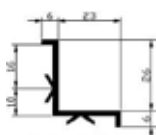


Code	Description
05101545	150 mm 45°
05101590	150 mm 90°
05102045	200 mm 45°
05102545	250 mm 45°
05102590	250 mm 90°
05103090	300 mm 90°

Overflow Products



Code	Description	Packing (m)
05110200	Overflow Grate Channel Support Profile	2



Code	Description	Packing (m)
05216375	Gutter Drain Made of ABS D 63 mm Inlet to Glue and D 75 mm Outlet Threaded Connection	10



- AISI 304 stainless steel
- Decorative
- Aesthetic
- Solid

Code	Description	Height	Width
05020415	Overflow S.S. Grating	2,5 cm	15 cm
05020420	Overflow S.S. Grating	2,5 cm	20 cm
05020425	Overflow S.S. Grating	2,5 cm	25 cm

Skimmers



- ABS
 - D 63 mm
- For concrete pools

Code	Description
06020200	Skimmer Standart



Code	Description
06020201	Skimmer Standart Deluxe



Code	Description
06021200	Skimmer Standart Large



Code	Description
06040200	Skimmer Standart liner



Code	Description
06041200	Skimmer Standart Large liner

Skimmers/Main Drains



Code	Description
06050200	Stainless steel Skimmer strainer basket



Code	Description
06059001	Stainless steel Skimmer frame



Code	Description
06059002	Stainless steel Skimmer frame



Code	Description
07010265	ABS Main Drain 26,5 X 26,5



Code	Description
07050200	ABS Main Drain Liner



Code	Description
07023030	AISI 304 Main Drain 30 X 30
07024545	AISI 304 Main Drain 45 X 45
07025555	AISI 304 Main Drain 55 X 55

Nozzles



- PP
- Adjustable water flow rate
- External 2" to glue

Code	Description
08010200	Floor Inlet Nozzle



- PP
- External 2" to glue

Code	Description
08011200	Wall Inlet Nozzle



- ABS
- External 1 1/2" and 2" to glue

Code	Description
08011151	Wall Inlet Nozzle 1 1/2" PN 16
08011201	Wall Inlet Nozzle 2" PN 16



- PP
- External 2" to glue

Code	Description
08013200	Suction Inlet Nozzle



- Adjustable water flow rate
- Stainless steel lid
- ABS body
- External 2" to glue

Code	Description
08010205	Floor Inlet Nozzle with S.S. Lid AISI 304



- Stainless steel lid
- ABS body
- External 2" to glue

Code	Description
08010204	Wall Inlet Nozzle With S.S. Lid AISI 304



- Stainless steel lid
- ABS body
- External 2" to glue

Code	Description
08013204	Suction Inlet Nozzle With S.S.Lid AISI 304

Chemicals
pH Reducer


For reducing pH value
usage is 1 kg pH reducer for decreasing 0,1
unit pH of 100 m³ water

Code	Description	Packing
09010115	pH Reducer	15 kg
09010125	pH Reducer	25 kg

Liquid pH Reducer


- Liquid pH reducer is used for high-scaled alkalinity water and especially seasonable.
- Usage is 500-750 g pH reducer for decreasing 0,1 unit pH of 100 m³ water

Code	Description	Packing
09010230	Liquid pH Reducer	30 kg

pH Increase


- For increasing pH value
- Usage is 1 kg pH increaser for increasing 0,1 unit pH of 100 m³ water
- Ideal pH value should be 7,2-7,6

Code	Description	Packing
09010320	pH Increaser	20 kg

Chemicals

Liquit Flocculant



- Used for flocculation
- Usage for daily is 250-300 ml in stability tank for 100 m³ water

Code	Description	Packing
09010410	Liquid Flocculant	10 kg
09010420	Liquid Flocculant	20 kg

Algea Disinfectant



- For preventing algae
- Once in a week usage is 500 ml for 100 m³ pool water

Code	Description	Packing
09010610	Algea Disinfectant	10 kg
09010620	Algea Disinfectant	20 kg

Water Polisher



- Polisher is used for eliminating turbidity

Code	Description	Packing
09010710	Pool Water Polisher	10 kg
09010720	Pool Water Polisher	20 kg

Chemicals

- Granular di chlorine 56%



- For disinfection pool water
- Fast dissolved and stabilised
- Firstly, usage is 600-800 g for 100 m³ pool water
- Then, daily usage is 200-250 g for 100 m³ pool water
- Ideal chlorine concentration is 0,5-1 mg/L

Code	Description	Packing
09015610	SDIC Granular Chlorine %56	10 kg
09015615	SDIC Granular Chlorine %56	25 kg
09015650	SDIC Granular Chlorine %56	50 kg

- Granular Tri Chlorine 90%



- For disinfection pool water. Slow dissolved and stabilised
- Firstly, usage is 400-600 g for 100 m³ pool water
- Then, daily usage is 120-180 g for 100 m³ pool water
- Especially warm area. Ideal chlorine concentration is 0,5-1 mg/L

Code	Description	Packing
09019010	TCCA Granular Chlorine %90	10 kg
09019020	TCCA Granular Chlorine %90	25 kg
09019050	TCCA Granular Chlorine %90	50 kg

Chemicals

- Granular Tablet Chlor 90%
- For disinfection pool water, stabilised
- Weekly usage is 3-4 tablets into skimmers or chlorinators for 100 m³ pool water
- Especially warm area. Ideal chlorine concentration is 0,5-1 mg/L



Code	Description	Packing
09019110	TCCA Chlorine Tablets	10 kg
09019120	TCCA Chlorine Tablets	25 kg
09019150	TCCA Chlorine Tablets	50 kg



- For disinfection pool water

Code	Description	Packing
09019235	Sodium Hypochlorite	35 kg



- Disinfection for feet bacterias

Code	Description	Packing
09011010	Fungea Disinfectant for Feet	10 kg



Code	Description
10010200	pH and chlorine oto test kit

Ozone and Chlorine Generators



Code	Description
11040100	Ozon Generator 0,7-1,5 g/h
11040101	Ozon Generator 1,6-3,9 g/h
11040102	Ozon Generator 3,3-6,4 g/h
11040104	Ozon Generator 6,3-11,4 g/h
11040105	Ozon Generator 8,9-16,8 g/h

Code	Description
11060100	Salt Chlorine Generator 12 gr/h
11060101	Salt Chlorine Generator 24 gr/h
11060102	Salt Chlorine Generator 36 gr/h



Code	Description
11060200	Salt Chlorine Generator 12 gr/h with pH dosing pump
11060201	Salt Chlorine Generator 24 gr/h with pH dosing pump
11060202	Salt Chlorine Generator 36 gr/h with pH dosing pump

Code	Description
11060300	Salt Chlorine Generator 12 gr/h with pH/ORP dosing system
11060301	Salt Chlorine Generator 24 gr/h with pH/ORP dosing system
11060302	Salt Chlorine Generator 36 gr/h with pH/ORP dosing system

Dosing Pumps



- Analog controller
- Adjustable stroke speed
- PVC head, ceramic valve, PTFE diaphragm
- Easy installation and use thanks to vertical design to mount
- Complete set together with discharge and suction accessories

Code	Description	Flow	Pressure
12720505	Dosing Pump	5 l/h	5 bar
12720210	Dosing Pump	2 l/h	10 bar



- Analog controller
- Adjustable stroke speed
- PVC head, ceramic valve, PTFE diaphragm
- Easy installation and use thanks to vertical design to mount
- Complete set together with discharge and suction accessories

Code	Description	Flow	Pressure
12620210	Dosing Pump	2 l/h	10 bar
12620507	Dosing Pump	5 l/h	7 bar
1261005	Dosing Pump	10 l/h	5 bar
12620220	Dosing Pump	2 l/h	20 bar



- Analog controller
- Adjustable stroke speed
- PVC head, ceramic valve, PTFE diaphragm
- Easy installation and use thanks to vertical design to mount
- Complete set together with discharge and suction accessories

Code	Description	Flow	Pressure
12521010	Dosing Pump	10 l/h	10 bar
12522005	Dosing Pump	25 l/h	5 bar

Dosing Pumps



- Digital controller
- Adjustable stroke speed
- PVC head, ceramic valve, PTFE diaphragm
- Timer, password parameter
- Easy installation and use thanks to vertical design to mount
- Complete set together with discharge and suction accessories
- Level controller

Code	Description	Flow	Pressure
12630210	Dosing Pump	2 l/h	10 bar
12630507	Dosing Pump	5 l/h	7 bar
12631005	Dosing Pump	10 l/h	5 bar
12630220	Dosing Pump	2 l/h	20 bar



- Digital controller
- Adjustable stroke speed
- PVC head, ceramic valve, PTFE diaphragm
- Timer, password parameter
- Easy installation and use thanks to vertical design to mount
- Complete set together with discharge and suction accessories
- Level controller

Code	Description	Flow	Pressure
12531010	Dosing Pump	10 l/h	10 bar
12532005	Dosing Pump	25 l/h	5 bar



Compact Panels



- 45x60 panel
- Elektrode flow chamber
- Cable channel
- pH electrode
- ORP electrode
- N model 5L/5B dosing pump (2 units)
- Calibration stand
- Fittings mounted

Code	Description	pH Pump	Chlorine Pump
12730505	Compact Panel	5 bar 5 l/h	5 bar 5 l/h



- 60 x 90 panel
- Pre-filterdirt holder
- Elektrode flow chamber
- Cable channel
- pH electrode
- ORP electrode
- Calibration stand
- Fittings mounted

Code	Description
12750000	Dosing Panel 1 Without Pump



- pH-ORP
- 60 x 90 panel
- Elektrode flow chamber
- Pre-filterdirt holder
- Cable channel
- pH electrode
- ORP electrode
- Calibration stand
- Fittings mounted

Code	Description
12760000	Dosing Panel 2 Without Pump

Dosing Products



- Epoxy body
- Max pressure 6 bar
- Max temperature 60°C
- BNC connector

Code	Description
12390101	pH Electrode
12390201	Redox Electrode



Code	Description
12390304	pH 4 Buffer Solutions (20 ml)
12390307	pH 7 Buffer Solutions (20 ml)
12390402	Orp 225 Buffer Solutions (20 ml)
12390404	Orp 475 Buffer Solutions (20 ml)



- Stirrers with fast and slow speed can be supplied with fixing flange to mount on tank

Code	Description	Pressure	Rpm	Phase
12390906	600 MM PVC Fast	0,13 kW	1400	III
12390908	800 MM PVC Fast	0,13 kW	1400	III
12391006	600 MM PVC Slow	0,13 kW	200	III
12391008	800 MM PVC Slow	0,13 kW	200	III



Code	Description
12200100	Chemical Tank 100 L
12200200	Chemical Tank 200 L
12180000	Manuel Mixer

Vacum Head

Vacuum Head

- For concrete pool
- Eloxal aluminium body
- Plastic fork



Code	Description
13010112	1 ½” Vacum Head with Clip 346 mm
13010200	2” Vacum Head with Clip 445 mm



Code	Description
13020112	1 ½” Vacum Head with Screw 346 mm
13020200	2” Vacum Head with Screw 445 mm

- For commercial concrete pool
- Electrostatic aluminium body
- Stainless steel wheels and hose connection



Code	Description
13040200	2” Pulling Type Vacuum Head 800 mm



Telescopic Pole

Code	Description
13200125	Aluminium Telescopic Pole 2x2,5 m
13200230	Aluminium Telescopic Pole 2x3 m
13200330	Aluminium Telescopic Pole 3x3 m

Cleaning Equipments



- Made of EVA
- Excellent floating properties
- Very light and flexible
- Resistant to UV
- Ideal solution for pool cleaning
- Temp : -30° C to + 60° C

Code	Description
13211038	Evapool Vacuum Hose 1 ½”
13211050	Evapool Vacuum Hose 2”



Code	Description
13223850	Hose connection Adapter



Code	Description
14010145	Curved Wall Brush 45 cm



Code	Description
14010126	Standart Wall Brush 26 cm



- Algae brushes has stainless steel wire

Code	Description
14010216	Stainless Steel Algae Brush 16 cm



Code	Description
14010401	Deep Leaf Rake



Code	Description
14010402	Leaf Rake

Underwater Lights



- For concrete pool
- IP 68
- ABS
- 4500 lumen-540 lumen Blue
- 30 W
- DC 12V

Code	Description
15011330	Underwater Lighting with White Led
15011331	Underwater Lighting with Warm White Led
15011332	Underwater Lighting with Blue Led
15011334	Underwater Lighting with Green Led
15011335	Underwater Lighting with Auto color change
15011336	Underwater Lighting with RGB Led



- For concrete pool
- IP 68
- ABS
- 4500 lumen-540 lumen Blue
- 30 W
- DC 12V

Code	Description
15021330	Underwater Lighting with White Led
15021331	Underwater Lighting with Warm White Led
15021332	Underwater Lighting with Blue Led
15021334	Underwater Lighting with Green Led
15021335	Underwater Lighting with Auto color change
15021336	Underwater Lighting with RGB Led



Underwater Lights



- For concrete pool
- IP 68
- ABS
- 4500 lumen-540 lumen Blue-1250 lumen RGB
- 30 W
- DC 12V

Code	Description
15031320	Underwater Lighting with White Led
15031321	Underwater Lighting with Warm White Led
15031322	Underwater Lighting with Blue Led
15031324	Underwater Lighting with Green Led
15031325	Underwater Lighting with Auto color change
15031326	Underwater Lighting with RGB Led



- For concrete pool
- IP 68
- ABS
- 4500 lumen-540 lumen Blue-1250 lumen RGB
- 30 W
- DC 12V

Code	Description
15041330	Underwater Lighting with White Led
15041331	Underwater Lighting with Warm White Led
15041332	Underwater Lighting with Blue Led
15041334	Underwater Lighting with Green Led
15041335	Underwater Lighting with Auto color change
15041336	Underwater Lighting with RGB Led

Underwater Lights



- S.S lid
- For concrete pool
- IP 68
- ABS
- 4500 lumen-540 lumen Blue-1250 lumen RGB
- 30 W
- DC 12V

Code	Description
15051330	Underwater Lighting with White Led
15051331	Underwater Lighting with Warm White Led
15051332	Underwater Lighting with Blue Led
15051334	Underwater Lighting with Green Led
15051335	Underwater Lighting with Auto color change
15051336	Underwater Lighting with RGB Led



- S.S lid
- For concrete pool
- IP 68
- ABS
- 4500 lumen-540 lumen Blue-1250 lumen RGB
- 30 W
- DC 12V

Code	Description
15061330	Underwater Lighting with White Led
15061331	Underwater Lighting with Warm White Led
15061332	Underwater Lighting with Blue Led
15061334	Underwater Lighting with Green Led
15061335	Underwater Lighting with Auto color change
15061336	Underwater Lighting with RGB Led

Underwater Lights/Transformers



- For Liner pool
- IP 68
- ABS
- 4500 lumen-540 lumen Blue-1250 lumen RGB
- 30 W
- DC 12V

Code	Description
15071330	Underwater Lighting with White Led
15071331	Underwater Lighting with Warm White Led
15071332	Underwater Lighting with Blue Led
15071334	Underwater Lighting with Green Led
15071335	Underwater Lighting with Auto color change
15071336	Underwater Lighting with RGB Led



- IP 68
- 4500 lumen-540 lumen Blue-1250 lumen RGB
- 30 W
- DC 12V

Code	Description
15901330	Spare Bulb 30 W with White Led
15901331	Spare Bulb 30 W Warm White Led
15901332	Spare Bulb 30 W with Blue Led
15901334	Spare Bulb 30 W Green Led
15901335	Spare Bulb 30 W Auto Color change Led
15901336	Spare Bulb 30 W RGB Led



Code	Description
16030312	Polyester Transformer 300 VA/12V 220V
16030612	Polyester Transformer 600 VA/12V 220V



Plate Heat Exchanger



Code	Pool Capacity(m3)	Regime Time (h)	Exchanger Capacity (kcal/h)	First Heat Programme (C°)
17004512	45	12	76.500	10-29,8
17004518	45	18	51.000	10-31,1
17010024	50	12	85.000	10-32,0
17005018	50	18	56.700	10-33,5
17006012	60	12	102.000	10-31,1
17004518	60	24	51.000	10-31,1
17007012	70	12	119.000	10-30,5
17007024	70	24	59.500	10-27,6
17008012	80	12	136.000	10-30,1
17008024	80	24	68.000	10-30,1
17009012	90	12	153.000	10-31,1
17004512	90	24	76.500	10-32,6
17010012	100	12	170.000	10-32,0
17010024	100	24	85.000	10-35,0
17012512	125	12	212.600	10-32,0
17012524	125	24	160.400	10-28,3
17015012	150	12	255.000	10-30,3
17015024	150	24	127.600	11-29,0
17017518	175	18	198.500	10-28,7
17017524	175	24	148.800	10-35,7
17020018	200	18	227.000	10-29,6
17010012	200	24	170.000	10-35,0
17010024	200	48	85.000	10-32,0
17025018	250	18	284.000	10-29,6
17025024	250	24	212.700	10-30,0
17025048	250	48	106.000	10-32,0
17030012	300	12	450.000	10-28,0
17030024	300	24	225.000	10-28,0
17035012	350	12	525.000	10-28,0
17035024	350	24	265.500	10-28,0
17040012	400	12	600.000	10-28,0
17040024	400	24	300.000	10-28,0
17045012	450	12	675.000	10-28,0
17045024	450	24	337.500	10-28,0
17050012	500	12	750.000	10-28,0
17050024	500	24	375.000	10-28,0
17055012	550	12	825.000	10-28,0
17055024	550	24	412.500	10-28,0
17060012	600	12	900.000	10-28,0
17030012	600	24	450.000	10-28,0
17065012	650	12	975.000	10-28,0

Researches show the radiator temperature 80-60°C, using temperature 10-30°C

Heat Exchanger



- 316 stainless steel shell
- May be floor or wall mounted

Code	Model	Power Output	Power Output	Recommended Pool Size m3	Max Pool Size m3
17241025	PRP25T	25 kW	21.500 Kcal/h	45	50
17241040	PRP40T	40 kW	34.400 Kcal/h	90	120
17241070	PRP70T	70 kW	60.200 Kcal/h	140	200
17241100	PRP100T	100 kW	85.980 Kcal/h	190	280

The heat exchanger output can vary depending upon flow rates and primary/ secondary water temperatures



- Available in 3-18 kw
- External control panel
- 316 stainless steel flow tube

Code	Power Output	Length	Recommended Pool Size m3	Max Pool Size m3
17220640	6 kW	700 mm	27	40
17220940	9 kW	700 mm	41	60
17221240	12 kW	700 mm	54	80
17221840	18 kW	700 mm	81	120
17222440	24kW	700 mm	100	180



- Available in 24-72 kw
- External control panel
- 316 stainless steel flow tube

Code	Power Output	Length	Recommended Pool Size m3	Max Pool Size m3
17223036	36 kW	800 mm	162	240
17223048	48 kW	800 mm	203	300
17223054	54 kW	800 mm	243	360
17223072	72 kW	800 mm	324	480

Olimpic Pool Equipments



Straight Type Diving Platforms

- Frame in AISI 304 stainless steel
- Step and deck made from anti-slip CTP
- Two different models in 40 cm or 70 cm height

Code	Description
19010040	Fixed Diving Platforms 40 cm
19010070	Fixed Diving Platforms 70 cm



Prismatic Diving Platforms

- Frame in AISI 304 stainless steel
- Step and deck made from anti-slip CTP
- Deck is movable 200 mm back and forth
- Two different models in 40 cm or 70 cm height

Code	Description
19010140	Prismatic Diving Platforms 40 cm
19010170	Prismatic Diving Platforms 70 cm



Lane Seperator Roma Model

- Together with plastic markers, nylon line
- 24 marker balls in every meter
- Two different models in 25m and 50m

Code	Description
19020125	Lane Seperator Roma Model 25 mt
19020150	Lane Seperator Roma Model 50 mt

Olimpic Pool Equipments



Lane Seperator Seul Model

- Together with plastic markers, nylon line
- 19 marker balls in every meter
- Two different models in 25m and 50m

Code	Description
19020225	Lane Seperator Seul Model 25 mt
19020250	Lane Seperator Seul Model 50 mt



Float Line Collector Cart

- Float line collector cart
- D.42 mm in AISI 304 stainless steel
- Two different models in 1.2 m or 1.8 m width

Code	Description
19030112	Lane Seperator Collection Wheel L:1200 mm
19030118	Lane Seperator Collection Wheel L:1800 mm

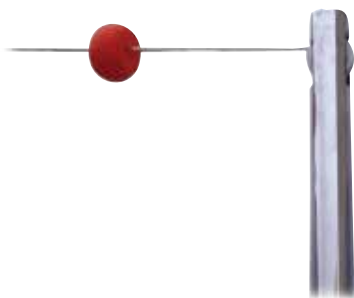
Turning Panel

- Serve as a point of support and impulsion for competition swimmers in pools
- D.42 mm in AISI 304 quality stainless steel
- 30 cm drain grill in white plastic
- 2 m or 2.5 m width of the panel



Code	Description
19030220	Return Panel L:2000 mm
19030225	Return Panel L:2500 mm

Olimpic Pool Equipments



False Start Line

- In AISI 304 stainless steel
- Each set is comprised of a post 1.8 m high, plastic cord and floats
- Posts are anchored in the ground
- For pools of 12.5 m and 25 m width
(Stainless steel anchors are not included the price)

Code	Description
19040112	Faulty Starting Signal Post 12,5 mt
19040125	Faulty Starting Signal Post 25 m



Backstroke Flag Posts

- Mounted on the first and last 5 meter olympic pool
- In AISI 304 stainless steel
- Each set is comprised of a post 1.8 m high, plastic cord and floats
- 2 units in a set
- Posts are anchored in the ground
- For pools of 12.5 m and 25 m width
(Stainless steel anchors are not included the price)

Code	Description
19050212	Returning Signal Posts 12,5 m
19050225	Returning Signal Posts 25 m

Olimpic Pool Equipments



Code	Description
19060101	Seperator Strecher with Spring



Code	Description
19060102	Seperator Strecher with Screw



Code	Description
19060103	Seperator Hook



Code	Description
19060104	Seperator Suspender Part



Code	Description
19060105	Seperator Anchor Smooth



Code	Description
19060106	Seperator Anchor Sloping



Code	Description
19060107	Seperator Anchor Cast

PVC Valves



Pvc Ball Valves

- For water flow and flow control in the system
- Resistant to temperatures between 0-50 °C
- Made from PVC, EPDM O-ring, union connections to glue
- 9 different models from 20mm to 110mm diameters
- Max 16 bar pressure resistance
- Strong seal, minimum pressure loss

Code	Diameter mm	DN(mm)	Kg/Piece	Box Quantity
202000202	20	15	0,164	55
202000252	25	20	0,284	75
202000322	32	25	0,24	60
202000402	40	32	0,464	30
202000502	50	40	0,656	20
202000632	63	50	1,162	12
202000752	75	65	1,474	9
202000902	90	80	3,608	4
202001102	110	100	5,016	2

Pvc Butterfly Valves

- For water flow and flow control in the system
- Resistant to temperatures between 0-50 °C
- Made from PVC, a complete set of accessories to glue with flange-flange adapter bolts
- 9 different models from 63mm to 225mm diameters
- Max 10 bar pressure resistance
- Strong seal, minimum pressure loss



Code	Diameter mm	Kg/Piece	Box Quantity
20101063	63	3,026	4
20101075	75	3,588	4
20101090	90	5,702	2
20101110	110	6,806	2
20101125	125	9,698	1
20101140	140	10,114	1
20101160	160	9,316	1
20101200	200	17,55	1
20101225	225		1

PVC Checkvalves



Pvc Checkvalve

- For direct flow of water in any part of the installation
- Resistant to temperatures between 0-50 °C
- Made from PVC, union connections to glue
- 9 different models from 20 mm to 110 mm diameters
- Max 16 bar pressure resistance
- Strong seal, minimum pressure loss

Code	Diameter mm	DN(mm)	Kg/Piece	Box Quantity
214000202	20	16	0,096	60
214000252	25	20	0,16	75
214000322	32	25	0,19	60
214000402	40	32	0,45	32
214000502	50	40	0,52	20
214000632	63	50	0,924	13
214000752	75	65	1,2	9
214000902	90	80	3,042	4



PVC Wafer Checkvalve

- For direct flow of water in any part of the installation
- Resistant to temperatures between 0-50 °C
- Made from PVC, accessories to glue, complete with flange set
- 13 different models from 63 mm to 430 mm diameters
- Max 10 bar pressure resistance

Code	Diameter mm	Kg/Piece	Box Quantity
21101090	90	3,712	4
21101110	110	4,564	4
21101140	140	5,774	2
21101160	160	7,474	2
21101200	200	10,074	1
21101225	225	10,162	1

Water Curtain



Cobra Water Curtain

- AISI 304 or AISI 316 S.S.
- Together with fixing plate, o'ring, stud bolts and nuts
- Pump is not included the price

Code	Description	Height mm	Outlet mm	Connection	Pump Optional
23010101	Mini Cobra Water Curtain AISI 304	475	345	1 1/2"	1 HP
23010102	Medium Cobra Water Curtain AISI 304	550	600	2"	2 HP
23010103	Maxi Cobra Water Curtain AISI 304	800	600	2"	3 HP
23010104	Mini Cobra Water Curtain AISI 316	475	345	1 1/2"	1 HP
23010105	Medium Cobra Water Curtain AISI 316	550	600	2"	2 HP
23010106	Maxi Cobra Water Curtain AISI 316	800	600	2"	3 HP



Cronos Water Curtain

- AISI 304 or AISI 316 S.S.
- Together with fixing plate, o'ring, stud bolts and nuts
- Pump is not included the price

Code	Description	Height mm	Outlet mm	Connection	Pump Optional
23010201	Mini Cronos Water Curtain AISI 304	475	345	1 1/2"	1 HP
23010202	Medium Cronos Water Curtain AISI 304	550	600	2"	2 HP
23010203	Maxi Cronos Water Curtain AISI 304	800	600	2"	3 HP
23010204	Mini Cronos Water Curtain AISI 316	475	345	1 1/2"	1 HP
23010205	Medium Cronos Water Curtain AISI 316	550	600	2"	2 HP
23010206	Maxi Cronos Water Curtain AISI 316	800	600	2"	3 HP

Water Curtain



Furcan Water Curtain

- AISI 304 or AISI 316 S.S.
- Together with fixing plate, o'ring, stud bolts and nuts
- Pump is not included the price

Code	Description	Height mm	Outlet mm	Connection	Pump Optional
23010301	Mini Furcan Water Curtain AISI 304	475	345	1 1/2"	1 HP
23010302	Medium Furcan Water Curtain AISI 304	550	600	2"	2 HP
23010303	Maxi Furcan Water Curtain AISI 304	800	600	2"	3 HP
23010304	Mini Furcan Water Curtain AISI 316	475	345	1 1/2"	1 HP
23010305	Medium Furcan Water Curtain AISI 316	550	600	2"	2 HP
23010306	Maxi Furcan Water Curtain AISI 316	800	600	2"	3 HP



Niagara Water Curtain

- AISI 304 or AISI 316 S.S.
- Together with fixing plate, o'ring, stud bolts and nuts
- Pump is not included the price

Code	Description	Height mm	Outlet mm	Connection	Pump Optional
23010701	Mini Niagara Water Curtain AISI 304	475	345	1 1/2"	1 HP
23010702	Medium Niagara Water Curtain AISI 304	550	600	2"	2 HP
23010703	Maxi Niagara Water Curtain AISI 304	800	600	2"	3 HP
23010704	Mini Niagara Water Curtain AISI 316	475	345	1 1/2"	1 HP
23010705	Medium Niagara Water Curtain AISI 316	550	600	2"	2 HP
23010706	Maxi Niagara Water Curtain AISI 316	800	600	2"	3 HP

Water Games



Code	Description	Height mm	Outlet mm	Connection	Pump Optional
23010501	Cascad Water Curtain AISI 304	1400	345	2"	3 HP
23010502	Cascad Water Curtain AISI 316	1400	345	2"	3 HP



Code	Description	Height mm	Outlet mm	Connection	Pump Optional
23010401	Artemis Water Canon AISI 304	1250	1040	1 1/2"	3 HP
23010402	Artemis Water Canon AISI 316	1250	1040	1 1/2"	3 HP
23010403	Artemis Water Canon Nozzle 1	1250	1040	1 1/2"	3 HP
23010404	Artemis Water Canon Nozzle 2	1250	1040	1 1/2"	3 HP
23010405	Artemis Water Canon Nozzle 3	1250	1040	1 1/2"	3 HP
23010406	Artemis Water Canon Nozzle 4	1250	1040	1 1/2"	3 HP



Code	Description	Height mm	Outlet mm	Connection	Pump Optional
23010331	Cascad Waterfall AISI 304	190	300	1 1/2"	1 HP
23010332	Cascad Waterfall AISI 316	190	300	1 1/2"	1 HP
23010333	Cascad Waterfall AISI 304	190	500	1 1/2"	1 HP
23010334	Cascad Waterfall AISI 316	190	500	1 1/2"	1 HP



Code	Description	Height mm	Outlet mm	Connection	Pump Optional
23010601	50 cm AISI 304 Waterfall	150	250	2x1 1/2"	1 HP
23010602	100 cm AISI 304 Waterfall	150	250	2x1 1/2"	1 HP
23010603	150 cm AISI 304 Waterfall	150	250	2x1 1/2"	1,5 HP
23010604	200 cm AISI 304 Waterfall	150	250	2x1 1/2"	2 HP
23010605	300 cm AISI 304 Waterfall	150	250	2x1 1/2"	3 HP
23010606	600 cm AISI 304 Waterfall	150	250	2x1 1/2"	2 X3 HP

Fountains



Code	Description
24010105	Cascade 1" D 50
24010107	Cascade 1 ½" D 70
24010109	Cascade 2" D 90
24010111	Cascade 2 ½" D 110
24010113	Cascade 3" D 130



Code	Description
24010202	Geiser 1" D 20
24010204	Geiser 1 ½" D 40
24010206	Geiser 2" D 60
24010208	Geiser 2 ½" D 80
24010210	Geiser 3" D 100



Code	Description
24010335	Spring 1" D 35
24010355	Spring 1 ½" D 55
24010375	Spring 2" D 75



Code	Description
24010903	Chromize Comet with Control Valve 3/8"
24010905	Chromize Comet with Control Valve 1/2"
24010910	Chromize Comet with Control Valve 1"
24010915	Chromize Comet with Control Valve 1 1/2"



Code	Description
24011014	Waterball Half D 1500
24011015	Waterball Full D 1500
24011024	Waterball Half D 2500
24011025	Waterball Full D 2500

Fountain Lighting



PAR 38 Flat Uw Adjustable Light

- IP 68, fiberglass and thermoplastic UW light.
- 180 rotary on decorative solid leg,
- PAR 38 100W /12V reflector lamp with polycarbonate to fix in niche body, with single and double connector type
- All lights must be completely submerged in the water

Code	Description
24030101	9 W PAR38 lighting with white power led
24030102	9 W PAR38 Mini lighting with Blue power led
24030103	9 W PAR38 lighting with RGB power led



- Par 38 stainless steel light
- Aisi 304 quality

Code	Description
24040201	9 W PAR38 AISI 304 Lighting with White Power Led
24040202	9 W PAR38 AISI 304 Mini Lighting with Blue Power Led
24040203	9 W PAR38 AISI 304 Lighting with RGB Power Led



Mini Flat Adjustable Uw Light

- IP 65, fiberglass + thermoplastic UW light. 180 rotary on decorative solid leg,
- All lights must be completely submerged in the water

Code	Description
24040102	3W Mini Lighting with White Power Led
24040103	3W Mini Lighting with Blue Power Led
24040104	3W Mini Lighting with RGB Power Led



Code	Description
24040112	3W Mini footed Lighting with White Power Led
24040113	3W Mini footed Lighting with Blue Power Led
24040114	3W Mini footed Lighting with RGB Power Led



Code	Description
24040402	12 W Lighting with nozzle and white Led
24040403	12 W Lighting with nozzle and Blue Led
24040404	12 W Lighting with nozzle and RGB Led

finncore

Sauna Heaters



Finncore KAP Serie Sauna Heater

- Excellent choice for your sauna
- Finnish type
- High quality products
- Separate control unit

Corrosion free colored front surface, stainless steel inner structure, built-in timer, aluminum top cap, front, left or right side position of the controller, pre-select time of 8 hours, running time of 4 hours, limit thermostat, design to wall-mounting that are most important features.

Code	Power (kW)	Dimension (mm)	Weight (Kg)	Sauna Room (m3)	Stone Capacity (Kg)
25060300	3	590X270X420	10-11	2-4	20
25060450	4,5	590X270X420	10-11	3-6	20
25060600	6	590X270X420	10-11	5-9	20
25060900	9	590X270X420	13-14	9-13	20



Finncore KAL Serie Sauna Heater

- The perfect choice for your sauna
- High quality products
- Compatible with large commercial scale of saunas
- Corrosion free

Finncore KAL serie together with a separate control panel.

Code	Power (kW)	Dimension (mm)	Weight (Kg)	Sauna Room (m3)	Stone Capacity (Kg)
25062105	10,5	600x530x680	34	10-15	60
25062120	12	600x530x680	34	11-18	60
25062150	15	600x530x680	34	14-24	60
25062180	18	600x530x680	34	18-30	60

finncore

Sauna Heaters & Control Panels



Finncore COR Serie Sauna Heater

- The perfect choice for your sauna
- High quality products
- Stainless steel inner structure

Corrosion free front surface has stainless steel inner structure.
Used with Control Panel + Powerbox.

Code	Power (kW)	Dimension (mm)	Weight (Kg)	Sauna Room (m3)	Stone Capacity (Kg)
25062210	21	710x560x680	50	24-36	120
25062240	24	710x560x680	50	28-44	120
25062270	27	710x560x680	50	32-48	120



Finncore Digital Control Panel

It is suitable for 9-15 kW heaters. Pre-programming for 1-8 hours in advance and continuous work for 4-12 hours features available. In addition, the heat temperature setting and on / off buttons as well as an electronic-based thermostat also exists.

Code	Description	Dimension (mm)
25070200	Finncore Digital Control Panel	240x200x102



Finncore Powerbox

Together with digital control panel over 15 kW heaters

Code	Description	Dimension (mm)
25070400	Power Box	325X90X195

HELO Sauna Heaters



Helo Cup Serie Sauna Heater

- Excellent choice for your sauna
- Finnish type
- High quality products
- Separate control unit

Corrosion free colored front surface, stainless steel inner structure, built-in timer, aluminum top cap, front, left or right side position of the controller, pre-select time of 8 hours, running time of 4 hours, limit thermostat, design to wall-mounting that are most important features.

Code	Power (kW)	Dimension (mm)	Weight (Kg)	Sauna Room (m3)	Stone Capacity (Kg)
25010030	3	590X270X420	10-11	2-4	20
25010045	4,5	590X270X420	10-11	3-6	20
25010060	6	590X270X420	10-11	5-9	20
25010090	9	590X270X420	13-14	9-13	20



HELO LAAVA Serie Sauna Heater

- The perfect choice for your sauna
- High quality products
- Compatible with large commercial scale of saunas
- Corrosion free
- Colored front surface

Helo Laava portable heaters have formed industry standards for 25 years. Helo Laava together with a separate control panel. Helo brand "OK33 PS3" or "OT2 PLE + PowerBox" will be sufficient to use

Code	Power (kW)	Dimension (mm)	Weight (Kg)	Sauna Room (m3)	Stone Capacity (Kg)
25011120E	12	725x540x500	34	10-18	60
25011150E	15	725x540x500	34	14-24	60

HELO Sauna Heaters & Control Panels



HELO MAGMA Serie Sauna Heater

- The perfect choice for your sauna
- High quality products
- Stainless steel inner structure

Corrosion free colored front surface has stainless steel inner structure. Helo brand "OK33 PS3" is used in conjunction with Control Panel + Powerbox.

Code	Power (kW)	Dimension (mm)	Weight (Kg)	Sauna Room (m3)	Stone Capacity (Kg)
25012180E	18	880x700x510	50	18-30	120
25012210E	21	880x700x510	50	24-36	120
25012260E	26	880x700x510	50	30-46	120



HELO Sauna Steam Control Panel Elite Free Wifi Control Panel

The new control panel Elite Free has now been updated with cloud-based functionality that allows you to control your sauna from anywhere, anytime.

Code	Description	Dimension (mm)
25520101	HELO Sauna Steam Control Panel Elite Free	85x127x14



Helo Control Panel OK33 PS3

OK33 PS3 Helo sauna heater has a mechanical control panel. It is suitable for 9-15 kW heaters. Pre-programming for 1-8 hours in advance and continuous work for 4-12 hours features available. In addition, the heat temperature setting and on / off buttons as well as an electronic-based thermostat also exists.

Code	Description	Dimension (mm)
25021267	Helo Mechanic Control Panel	240x200x102



Helo Powerbox

Together with OK33 PS3 control panel over 15 kW heaters

Code	Description	Dimension (mm)
25021260	Helo Power Box WE 1	325X90X195

finncore

Sauna Accessories



- Finncore Wooden Bucket
- 4 l with plastic inner
 - Longer life with high quality
 - Makes cleaning easy

Code	Description
25200600	Finncore wooden bucket 4 l



- Wooden Ladle
- Together with wooden bucket
 - Traditional package for sauna

Code	Description
25200700	Finncore wooden Ladle



- Copper Bucket
- High quality and long-lasting
 - A traditional appearance
 - 4 L

Code	Description
25200401	Finncore Copper Bucket



- Copper Ladle
- High quality and long lasting
 - Traditional set with copper bucket

Code	Description
25200501	Finncore Copper Laddle



Code	Description
25202401	Finncore Stainless steel Bucket



Code	Description
25202501	Finncore Stainless steel Laddle

finncore

Sauna Accessories



Thermometer-Hygrometer

- Measurement for sauna temperature and humidity
- Keep on eye both the sauna temperature and air humidity
- Easy lookout
- Strong frame

Code	Description
25400203	Finncore Thermometer-Hygrometer



Sandglass

- Reminder for proper sauna time
- Sand flows in 15 minutes
- Indispensable for decoration

Code	Description
25400301	Finncore Sandglass



Sauna Clock

- Frame made of solid wood
- To control the time spent in the sauna
- High-temperature resistant

Code	Description
25200303	Sauna Clock



Sauna Loud Speaker

- Golden-coloured
- Up to max. 120 °C
- 20 watt
- Ø 100 mm

Code	Description
25201901	Loud Speaker for Sauna



Porcelain Socket

- Sleek design
- With its robust construction provides lightness in sauna
- Heat-resistant porcelain structure

Code	Description
25200801	Porselen Socket

finncore

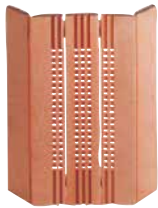
Sauna Accessories



Sauna Stones

- Perfect heat conduction
- Store heat by mineral structure

Code	Description
25201802	Sauna Stone 20 Kg



wall lampshade

- With its sleek design provides the perfect look
- Protect your eyes against intense ambient light
- Made of solid abachi wood

Code	Description
25201001	Wooden Lampshade



Ventilation Valve

- Sliding ventilation valve
- Provides fresh air intake
- Maintains circulation

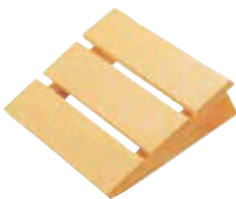
Code	Description
25201101	Ventilation Valve



Vent Grilles

- Made to endure heat and humidity
- Maintains circulation

Code	Description
25201201	Ventilation Grill



Wooden head rest

- Elegantly designed head rest for relaxing
- Made from solid abachi lata

Code	Description
25201301	Wooden Head Rest



Sauna fragrance

- Let your sauna smell good
- Fresh, exotic, relaxing scents
- Unique relief with a few drops of use

Code	Description	Packing (ml)
25201411	Sauna Fragrance	250
25201421	Sauna Fragrance	500

finncore

Sauna Accessories



- Glass Sauna Door
- Comfortable size
- Wooden framed
- Long-lasting

Code	Description	Dimension (mm)
25210112	Sauna Glass Door	790X1836



Code	Description
25925051	Sauna Hinge Chrome Finish



Code	Description
25925053	Sauna Hinge Satin Nickel Finish



Code	Description
25925061	Sauna Hinge Chrome finish



Code	Description
25925010	Steel Magnetic Screw with Nickel Finish



Code	Description
25925017	Catch Plate Chrome Finish



Code	Description
25220200	Nordic Pine for Interior Panelling
25220300	Abachi Lata



finncore

Steam Generators



Finncore Steam Generator

- Modern design
- High quality
- High performance

Code	Power (kW)	Dimension (mm)	Weight (Kg)	Room Size m3
25570060	6	520X380X160	11	5 – 7
25570090	9	520X380X160	11	10 – 12
25570120	12	520X380X160	11	12 – 15
25570150	15	520X380X160	11	15 - 18



Code	Description	Dimension (mm)
25570150	Finncore Digital Steam Generator Control Panel	190x130x30



Code	Description
25530107	Steam Nozzle



- Aluminum glass door offer you the best solution for the conditions of high humidity and moisture material resistance
- No woods used
- 8 mm safety glass used
- Glass doors can be used for many years without any maintenance.
- The door handle is made from aluminum.
- Leaking gaskets specially developed to keep the heat inside.
- It is already complete with hinges and mounting bolts

Code	Description	Dimension (mm)
25540104	Steam Door	790X1890



- Resist to high moisture and temperature with glass glomp,pvc framed

Code	Description
25530101	Lighting For Steam Room



- Connection: 3/ 4 “
- Operating Principle: Time and/ or Flow Control
- Working Pressure: 1,5 - 6 bar
- Working Water Temperature: 4-45 ° C

Code	Description
25560101	Automatic Water Softener Systems

HELO Steam Generators



- HELO Steam PRO Generator
- Modern design
 - High quality
 - High performance
 - Certificated product range

The HELO steam PRO generator automatically prevents overheating and dry running. It saves time on maintenance and down time with automated flush function. There is also the possibility to run several units through serial connection.

Larger steam and drain outlets for added comfort and performance. Engineered to withstand many years of use without interruption and with a minimum of attention and maintenance.

Prepared for optional features such as auxiliary fans and fragrance. Use with Elite control panel for convenient remote control via Wifi.

Code	Power (kW)	Dimension (mm)	Steam production (kg/h)	Weight (Kg)	Room Size m3
25510090	9,5	636x380x164	13	11	10 – 12
25510120	12	636x380x164	16	11	12 – 15
25510160	16	636x380x164	21	11	15 - 18



HELO Sauna Steam Control Panel Elite Free Wifi Control Panel

The new control panel Elite Free has now been updated with cloud-based functionality that allows you to control your sauna from anywhere, anytime.



Code	Description	Dimension (mm)
25530108	Sandglass for Steam Room	50X275X20



Code	Description	Dimension (mm)
25530109	Steam Room Thermometer	150X150X35

Wellness Equipments



Shower Shock Bucket

- 21 Lt bucket of shower shock
- Provides natural shock effect with cold water
- Durable long-lasting manufactured from kambala wood

Code	Description	Dimension (mm)
25400601	21 L Bucket Of Shower Shock	43X43X310

Ice Generator / Ice Fountain

- Ice generator is an equipment that snowflakes come from snow cabin and fountain are poured in ice pieces.

The Ideal Operating Conditions

- 21 ° C ambient temperature, water temperature of 15 ° C, 220 - 240 Volt in voltage, water pressure of 3 bars



	160 kg	500 kg	1000 kg
Output	160 kg/24 h	500 kg/24 h	1000 kg/24 h
Refrigerant	R404A	R404A	R404A
Total Power	1050 Watt	1700 Watt	3200 Watt
Weight Gross	93kg.	113kg.	195 kg.
Packaging Dimensions	695x540x940mm	695x540x940mm	1000x770x920mm

Code	Description	Dimension (mm)	Weight (Kg)
25400761	Ice Fountain 160 Kg	640X470X700	82
25400762	Ice Fountain 500 Kg	640X470X700	104
25400763	Ice Fountain 1000 Kg	934X684X700	172



Tropical Adventure Shower with 3 Programmable Function

- Program 1 : Cold Shower
- Program 2 : Tropic Storm
- Program 3 : Akdeniz Yağmuru/ Mediterranean Rain

Code	Description
25400700	Tropical Adventure Shower with 3 Programmable Function



Code	Description	Dimension (mm)
25400730	Heated Loungers Without Glass Mosaic	1856x764 1142x1104
25400731	Heated Loungers With Glass Mosaic	1856x764 1142x1104

Spa Equipments



Constant Type Centrifuge Blowers

- Power rate ; 0,25 – 18,5 Kw
 - Air flow ; 6 – 1120 M3/H
 - Pressure ; 0 – 450 Mbar
 - Suction ; 0 – 400 Mbar
 - Easy installation
 - Low noise level
 - No vibration and therefore complete
 - Pulsation free discharge
 - Minimal maintenance.
 - Degree of protection: - Ip54
- Casings and impellers are made of aluminium alloy.

Code	Power	Connection	Weight (Kg)
26030104	0,4 kw	1 1/2"	11 kg
26030109	0,9 kw	1 1/2"	18 kg
26030110	1.3 kw	1 1/2"	18 kg
26030150	1,6 kw	2 "	26 kg
26030220	2.2 kw	2 "	26 kg
26030300	3 kw	2 "	41,5 kg
26030400	4 kw	2 "	41,5 kg
26030550	5,5 kw	2 1/2"	68 kg
26030750	7,5 kw	2 1/2"	68 kg

kW	connection	flow	0 mbar	100 mbar	150 mbar	200 mbar	250 mbar	300 mbar
0,4	1 1/2"	m3/h	84	24				
0,9	1 1/2"	m3/h	150	89	59			
1,1	1 1/2"	m3/h	150	89	59	30		
1,5	2"	m3/h	212	151	116	82		
2,2	2"	m3/h	212	151	116	82	50	
3	2"	m3/h	300	230	192	155	117	
4	2"	m3/h	300	230	192	155	117	82
5,5	2 1/2"	m3/h	462	418	380	344	308	272
7,5	2 1/2"	m3/h	462	418	380	344	308	272



Code	Description
26140132	D.32 PVC Flexible Hose 25 m
26140150	D.50 PVC Flexible Hose 25 m
26140163	D.63 PVC Flexible Hose 25 m

Taşınabilir Spalar / Portable Spas

Aurora Serie III Built-in Lighting System Twice as More Power

Aurora II

The amount of jets almost doubled and horse power has got bigger from 2 HP to 4 HP. In Aurora II, a jet is available for almost every part of your body! For those who are looking for the best therapy for the right position

Aurora III

Aurora III, is designed to move your spa experience even further. In this model, there are 24 leds lights available to give you hot water experience at night as well. This perfect model is at your disposal for 7 days/24 hours



Code	Description	Dimension (mm)	Weight (Kg)	Volume L	Seating
26011131	Aurora II	152X213X86	179	644	2-3

Taşınabilir Spalar / Portable Spas

Spa Model	AURORA II	AURORA III
Total Jets	31	31
Neck Jets	2	2
Single Adj. Roto Power Storm Jet	-	-
Twin Adj. Roto Power Storm Jet	-	-
Adj. & Directional Poly Storm Jet	4	4
Adj. Roto Poly Storm 2 Jet	4	4
Adj. Roto Mini Storm 2 Jet	2	2
Adj. Massage Mini Storm Jet	2	2
Adj. & Directional Mini Storm Jet	8	8
Adj. Pulsating Cluster Storm Jet	8	8
Volcano Jet	-	-
Ozone Jet	1	1
Stainless Steel Jet Accessories Package	-	STD
Lighted Cascading Waterfall	-	STD
Balboa™ Power System	VS500	VS500
Voltage	240 V	240 V
Pump(s)	1	1
Total Horsepower	4	5
Filtration	50 sq ft	50 sq ft
100 Gallons Per Minute Safety Suctions	2	2
Spa Light	STD	STD
Led Lighting System	-	STD
Ozonator	STD	STD

Portable Spas



Royale
 5- 6 Seated Luxury Serie
 This model, which is a best seller in America, has awarded “Consumer’s Digest – Best Buy” is equipped with 24 LED lights for you to enjoy hot water experience even at night. It flows you away freeing of every day problems under a slight warm waterfall from a cascade.



Code	Description	Dimension (mm)	Weight (Kg)	Volume L	Seating
26011231	Royale	198X198X86	225	1136	5-6



Portable Spas

Spa Model	ROYALE	ROYALE ETS
Total Jets	31	31
Neck Jets	2	2
Single Adj. Roto Power Storm Jet	1	1
Twin Adj. Roto Power Storm Jet	1	1
Adj. & Directional Poly Storm Jet	4	4
Adj. Roto Poly Storm 2 Jet	4	4
Adj. Roto Mini Storm 2 Jet	-	-
Adj. Massage Mini Storm Jet	2	2
Adj. & Directional Mini Storm Jet	10	10
Adj. Pulsating Cluster Storm Jet	6	6
Volcano Jet	-	-
Ozone Jet	1	1
Stainless Steel Jet Accessories Package	STD	STD
Lighted Cascading Waterfall	STD	STD
Balboa™ Power System	VS500	VS500
Voltage	240 V	240 V
Pump(s)	1	1
Total Horsepower	5	5
Filtration	50 sq ft	50 sq ft
100 Gallons Per Minute Safety Suctions	2	2
Spa Light	STD	STD
Led Lighting System	STD	STD
Ozonator	STD	STD



Istanbul 2009



Lyon 2010



Istanbul 2010



Barcelona 2011



Lyon 2012



İstanbul 2012



İstanbul 2012



Lyon 2012



Barcelona 2021



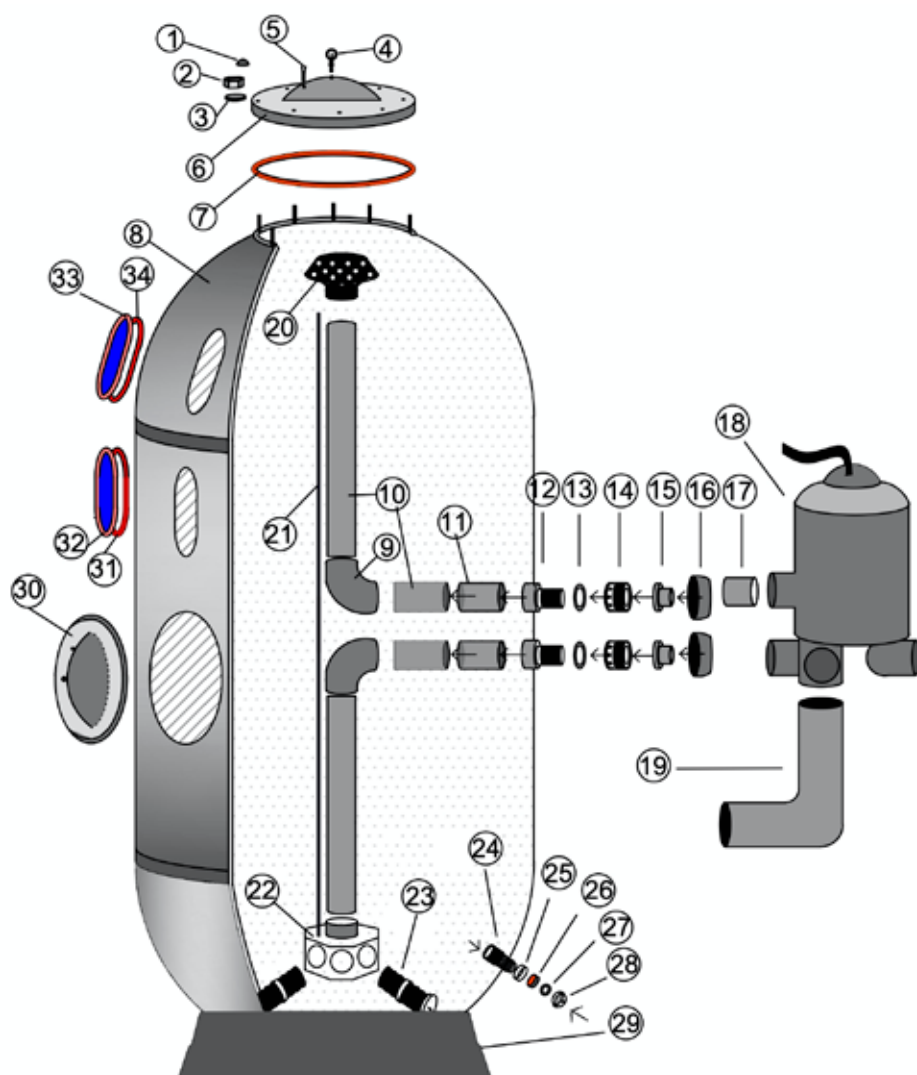
Lyon 2022



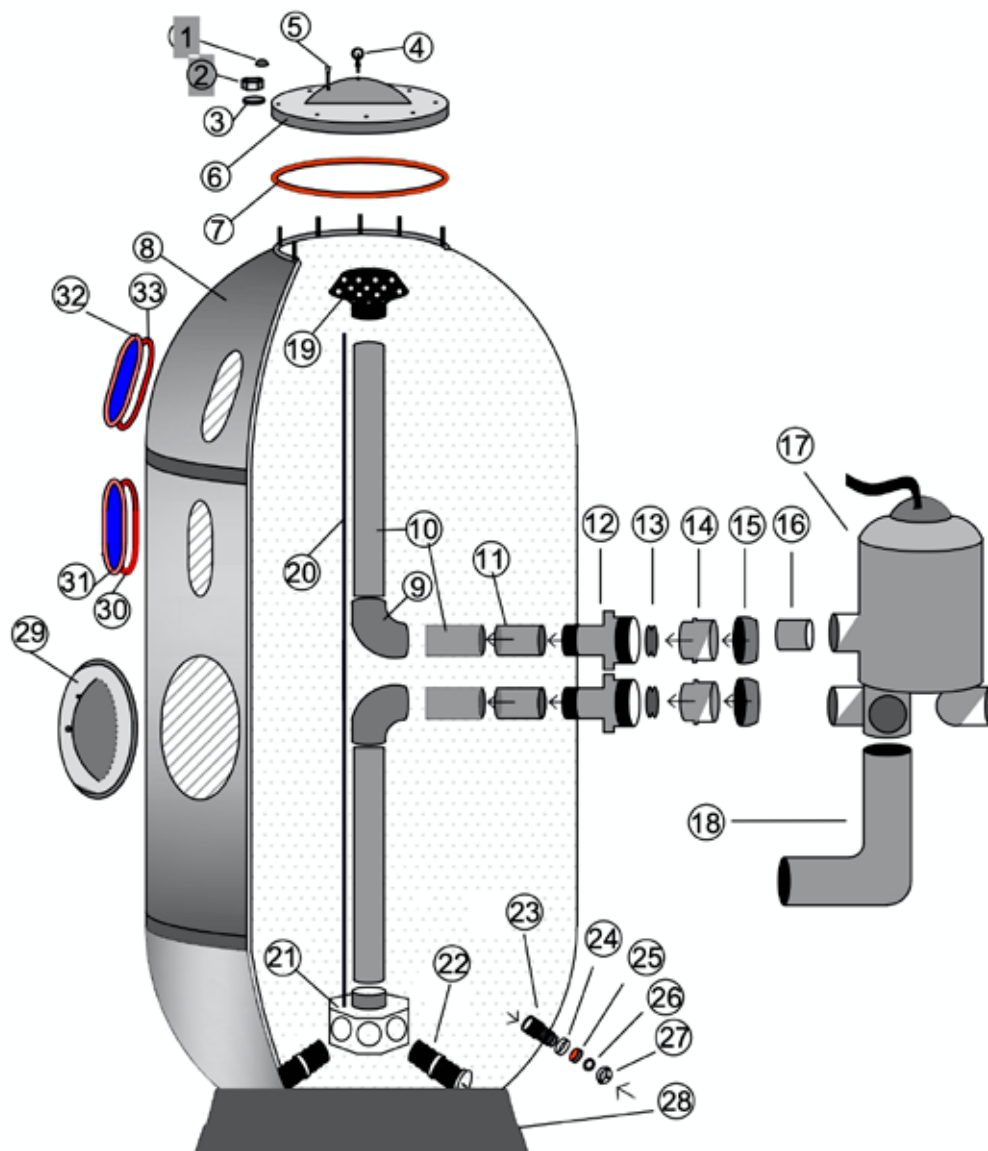
Barcelona 2023



Istanbul 2024

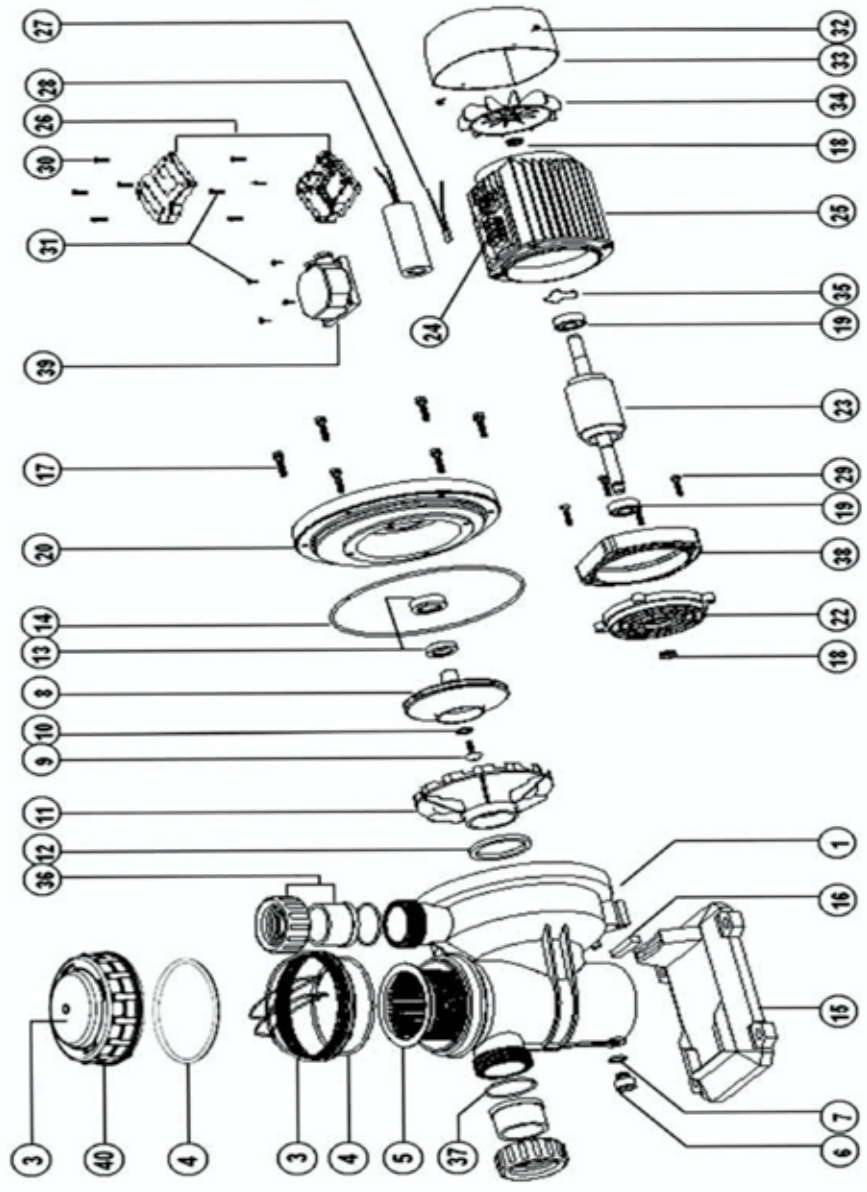


Spare Parts



Spare Parts

Spare Parts



Ecofriendly Products With High Quality



CERTIFICATE



DECLARATION OF CONFORMITY

MANUFACTURER

NAME : PIARPI HAVUZ SAUNA SANAYİ VE TİCARETLTD.ŞTİ.

ADDRESS : AKÇABURGAZ MAH. 3040. SK. NO: 30 /1 ESENYURT/ İSTANBUL

Teslim edilen versiyonumuzda aşağıda açıklanan ürünün, tarafımızca piyasaya sürüldüğü şekliyle, tasarımı ve tipine göre 2001/95/AT GENEL ÜRÜN DİREKTİFİ'ne dayanan uygun temel güvenlik ve sağlık gereksinimlerine uygundur. Tarafımızca kararlaştırılan bu üründe değişiklik yapılması durumunda bu beyan geçerliliğini yitirecektir.

The product described below in our delivered version, as placed on the market by us, complies with the appropriate essential safety and health requirements based on the GENERAL PRODUCT DIRECTIVE 2001/95/EC by design and type. This declaration will lose its validity if changes are made to this product as agreed by us.

Description of the Product / Ürün Tanımı:

PI LONDON KUM FİLTRESİ

PI LONDON SAND FILTER

Classical series -premium series -platinum series-elite series -iris series-élite pluss series DIN Norm 19643/19605

Product Commercial Brand / Marka:

PI LONDON

Related Directives/ İlgili Direktifler:

GENERAL PRODUCT SAFETY DIRECTIVE 2001/7/95/EEC

Regulations Applied according to HARMONIZE STANDARDS:

EN ISO 12100.20:10

CLASSIFICATIONS : CLASS
CERTIFICATE NUMBER : 9101932107
CERTIFICATE CODE : PIARPI
CERTIFICATE ISSUE DATE : 25.06.2024
CERTIFICATE VALIDITY DATE : 25.06.2027



011711

Ekol Belgeleme Şirketi

Maslak Mah. Maslak Meydan Sokak Beybi Güz Plaza No:1 Kat:15 D.55

Sarıyer / İstanbul / Türkiye Tel. +90 212 909 12 07 www.ekolbelgeleme.com

Belgenin geçerlik durumu <https://www.ekolbelgeleme.com/certifikaarsa/> adresinden kontrol edilebilir.



**PIARPI HAVUZ SAUNA
SAN. VE TİC. LTD. ŞTİ.**
AKÇABURGAZ MAH. 3040. SOK. NO: 30 /1
ESENYURT/ İSTANBUL
Tel: +0 212 237 8787 Web: www.piarpi.com

**EC Declaration of Conformity**

The undersigned Company declares under its sole responsibility that the item of equipment specified below satisfies the essential requirements of the 2006/42 EC Machinery Directive Of the EC Low Voltage Directive 2014/35/EC which is apply to it

The item of equipment identified below has been subject to internal manufacturing checks assessment by **PIARPI HAVUZ SAUNA LTD.**

Product Name

Elite Series Pompa

Type-Models

Elite 50S - Elite 75S - Elite 100S - Elite 100T
Elite 150S - Elite 150T - Elite 200S - Elite 200T
Elite 300S - Elite 300T - Elite 400T

Product Name**Applicable EU Directives**

2014/35/EC low Woltage Directive
2006/42 /EC Machinery Directive

Applicable Standards

EN 60204-1:2018; EN ISO 12100:2011

Test Raporları ve Ürün İnceleme

Alberk QA Uluslararası Teknik Kontrol
Ve Belgelendirme A.Ş.

Attestation Of Conformity No

QA/AC 7130 / 24

Test Rapor Tarih ve No

260602 / 4.06.2024

AT Uygunluk Beyanı

Aşağıda tanımlanmış olan ekipman için 2006/42 AT Makine Yönetmeliği - 2014/35/AT Düşük Gerilim Yönetmeliği temel gerekliliklerini yerine getirildiğini ve sorumluluğun alınmış olduğunu beyan ederiz.

Aşağıda tanımlanan ekipmanların iç üretim kontrolü **PIARPI HAVUZ SAUNA LTD.** tarafından kontrol edilmektedir.

Ürün Adı

Elite Seri Pompa

Tip-Model

Elite 50S - Elite 75S - Elite 100S - Elite 100T
Elite 150S - Elite 150T - Elite 200S - Elite 200T
Elite 300S - Elite 300T - Elite 400T

Marka**Uygulanan AB Yönetmelikleri**

2014/35/AT LVD Yönetmeliği
2006/42 /AT Makina Emniyeti Yönetmeliği

Uygulanan Standartlar

EN 60204-1:2018; EN ISO 12100:2011

Test Raporları ve Ürün İnceleme

Alberk QA Uluslararası Teknik Kontrol
Ve Belgelendirme A.Ş.

Uygunluk Onayı No

QA/AC 7130 / 24

Test Rapor Tarih ve No

260602 / 4.06.2024